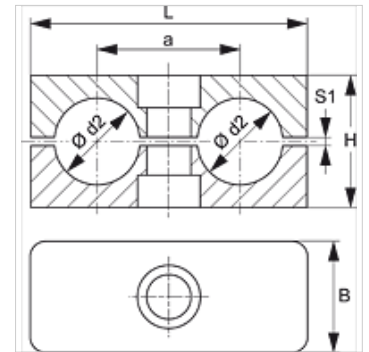


SRS 1-5 D PP G

管卡圈,双管

HANSA FLEX

属性	
结构类型	双管卡圈
结构类型补充	卡圈内壁光滑
标准	DIN 3015-3
温度 min.	-30 °C
温度 max.	90 °C
原料	聚丙烯



提示

对软管和线缆的支撑推荐使用内表面光滑的卡圈。装配则不带预张力,从而使块高H减小间隙大小S1。

订购指南

1 件 = 2个卡圈半部

货品

名称	卡圈大小	管外径 Ø d2 (mm)	管外径 Ø d2	a (mm)	B (mm)	H (mm)	L (mm)	S1 (mm)
SRS 106 D PP G	1	6,0	-	20	30	27	36	1,0
SRS 106.4 D PP G	1	6,4	1/4"	20	30	27	36	1,0
SRS 108 D PP G	1	8,0	5/16"	20	30	27	36	1,0
SRS 109.5 D PP G	1	9,5	3/8"	20	30	27	36	1,0
SRS 110 D PP G	1	10,0	-	20	30	27	36	1,0
SRS 112 D PP G	1	12,0	-	20	30	27	36	1,0
SRS 212.7 D PP G	2	12,7	1/2"	29	30	26	53	1,2
SRS 213.5 D PP G	2	13,5	-	29	30	26	53	1,2
SRS 214 D PP G	2	14,0	-	29	30	26	53	1,2
SRS 215 D PP G	2	15,0	-	29	30	26	53	1,2
SRS 216 D PP G	2	16,0	5/8"	29	30	26	53	1,2
SRS 217.2 D PPG	2	17,2	-	29	30	26	53	1,2
SRS 218 D PP G	2	18,0	-	29	30	26	53	1,2
SRS 319 D PP G	3	19,0	3/4"	36	30	37	67	1,6
SRS 320 D PP G	3	20,0	-	36	30	37	67	1,6
SRS 321.3 D PP G	3	21,3	-	36	30	37	67	1,6
SRS 322 D PP G	3	22,0	-	36	30	37	67	1,6
SRS 325 D PP G	3	25,0	1"	36	30	37	67	1,6
SRS 426.9 D PP G	4	26,9	-	45	30	42	82	2,0
SRS 428 D PP G	4	28,0	-	45	30	42	82	2,0
SRS 430 D PP G	4	30,0	-	45	30	42	82	2,0
SRS 532 D PP G	5	32,0	1.1/4"	56	30	54	106	2,0
SRS 533.7 D PP G	5	33,7	-	56	30	54	106	2,0
SRS 535 D PP G	5	35,0	-	56	30	54	106	2,0
SRS 538 D PP G	5	38,0	1.1/2"	56	30	54	106	2,0
SRS 542 D PP G	5	42,0	-	56	30	54	106	2,0

产品变体

SRS 1-5 D PA	管卡圈,双管,卡圈内壁带槽
SRS 1-5 D PP	管卡圈,双管,卡圈内壁带槽
SRS 1-5 D VG	管卡圈,双管,卡圈内壁光滑