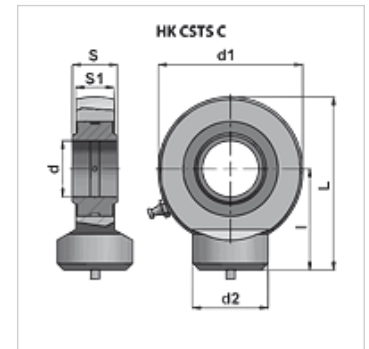


# HK CSTS C

## 带可再润滑轴承的关节头

### 属性

|      |                |
|------|----------------|
| 标准   | DIN 648,E系列,C型 |
| 应用范围 | 工业             |
| 原料   | 钢 ST 52.3      |



### 提示

HKCSTS012C00无法再润滑

HKCSTS015C00, HKCSTS016C00, HKCSTS017C00 只能通过一个润滑孔补充润滑剂(无润滑内接头)

### 货品

| 名称               | d<br>(mm) | d1<br>(mm) | d2<br>(mm) | l<br>(mm) | L<br>(mm) | S1<br>(mm) | S<br>(mm) | 允许的动态负荷<br>(kN) | 重量<br>(kg) |
|------------------|-----------|------------|------------|-----------|-----------|------------|-----------|-----------------|------------|
| HK CSTS 012 C 00 | 12        | 34         | 16,0       | 27        | 44,0      | 8          | 10        | 10              | 0,06       |
| HK CSTS 015 C 00 | 15        | 40         | 20,0       | 31        | 51,0      | 10         | 12        | 17              | 0,12       |
| HK CSTS 016 C 00 | 16        | 46         | 21,5       | 35        | 58,0      | 11         | 14        | 19              | 0,17       |
| HK CSTS 017 C 00 | 17        | 46         | 22,5       | 35        | 58,0      | 11         | 14        | 21              | 0,18       |
| HK CSTS 020 C 00 | 20        | 53         | 27,5       | 38        | 64,5      | 13         | 15        | 30              | 0,25       |
| HK CSTS 025 C 00 | 25        | 64         | 33,5       | 45        | 77,0      | 17         | 20        | 48              | 0,45       |
| HK CSTS 030 C 00 | 30        | 73         | 40,0       | 51        | 87,5      | 19         | 22        | 62              | 0,67       |
| HK CSTS 035 C 00 | 35        | 82         | 47,0       | 61        | 102,0     | 21         | 25        | 80              | 0,98       |
| HK CSTS 040 C 00 | 40        | 92         | 52,0       | 69        | 115,0     | 23         | 28        | 100             | 1,35       |
| HK CSTS 045 C 00 | 45        | 102        | 58,0       | 77        | 128,0     | 27         | 32        | 127             | 1,93       |
| HK CSTS 050 C 00 | 50        | 112        | 62,0       | 88        | 144,0     | 30         | 35        | 156             | 2,65       |
| HK CSTS 060 C 00 | 60        | 135        | 70,0       | 100       | 167,5     | 38         | 44        | 245             | 4,60       |
| HK CSTS 070 C 00 | 70        | 160        | 80,0       | 115       | 195,0     | 42         | 49        | 315             | 7,00       |
| HK CSTS 080 C 00 | 80        | 180        | 95,0       | 141       | 231,0     | 47         | 55        | 400             | 11,00      |