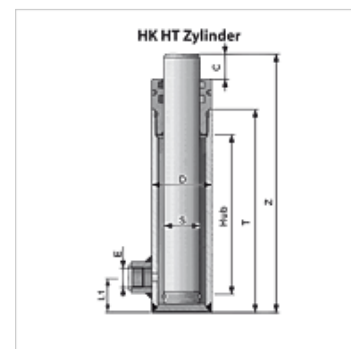


| 属性   |  |
|------|--|
| 规格   | 柱塞缸<br>without mounting elements   |
| 工作压力 | 最高 200 巴(按照 DIN EN 982)  |
| 试验压力 | 最高 240 巴(按照 DIN EN 982)  |
| 温度范围 | 标准规格 -15 °C 至 +80 °C   |
| 适用介质 | HLP液体  |
| 原料   | 活塞杆:钢 20MnV6 铬 25 微米 +/- 5<br>活塞杆:120小时耐腐蚀性,按照ISO 3768的NSS试验<br>活塞杆导向装置:钢 9SMn28<br>油接管:钢 9SMn28<br>抛光缸管:ST 52.3 DIN 2393-ISO H9<br>缸底:FE 510-A105<br>螺母:钢 8UNI EN20898/2<br>密封 TPM:NBR<br>活塞:钢 9SMn28<br>密封 O形圈:NBR 氟硅 Viton<br>密封 TSE-TTS-TTI/L:NBR + 织物 / 聚氨酯<br>密封 GHM-GHK:NBR / 聚氨酯 |



### 提示

标准密封时活塞速度:最大25m/分钟 - 0.42m/秒钟

终端位置活塞速度:最大6m/分钟 - 0.10m/秒钟

For these standard cylinders, it is recommended not to weld any fastenings to the cylinder liner (e.g. cardan mountings) as this could distort it.

### 描述

Our hydraulic cylinders and their components are designed for standard applications in industry and agriculture. They can be used only in some circumstances for applications in construction machinery. If this is your intention, please contact our technical personnel. The cylinders conform to the technical specifications in the catalogue or are designed to customers' specifications (approval drawing).

请注意,缸的选择、加工和使用必须符合EN ISO 4413标准“液压设备以及部件的安全技术要求”的规定以及其他相关的法律规定和安全要求。

### 货品

| 名称               | Ø D<br>(mm) | Ø S<br>(mm) | 行程<br>(mm) | Z<br>(mm) | C<br>(mm) | T<br>(mm) | E      | L1<br>(mm) | 重量<br>(kg) |
|------------------|-------------|-------------|------------|-----------|-----------|-----------|--------|------------|------------|
| HK HT 02 30 0200 | 50          | 30          | 200        | 326       | 40,0      | 256,0     | G 3/8" | 23         | 3,64       |
| HK HT 02 30 0250 | 50          | 30          | 250        | 376       | 40,0      | 303,0     | G 3/8" | 23         | 4,19       |
| HK HT 02 30 0300 | 50          | 30          | 300        | 426       | 40,0      | 353,0     | G 3/8" | 23         | 4,75       |
| HK HT 02 30 0350 | 50          | 30          | 350        | 476       | 40,0      | 403,0     | G 3/8" | 23         | 5,31       |
| HK HT 02 30 0400 | 50          | 30          | 400        | 526       | 40,0      | 453,0     | G 3/8" | 23         | 5,86       |
| HK HT 02 30 0500 | 50          | 30          | 500        | 626       | 40,0      | 553,0     | G 3/8" | 23         | 6,96       |
| HK HT 03 40 0200 | 60          | 40          | 200        | 338       | 45,0      | 258,0     | G 3/8" | 26         | 5,64       |
| HK HT 03 40 0300 | 60          | 40          | 300        | 438       | 45,0      | 358,0     | G 3/8" | 26         | 7,29       |
| HK HT 03 40 0400 | 60          | 40          | 400        | 538       | 45,0      | 458,0     | G 3/8" | 26         | 8,98       |
| HK HT 03 40 0500 | 60          | 40          | 500        | 638       | 45,0      | 558,0     | G 3/8" | 26         | 13,00      |
| HK HT 03 40 0600 | 60          | 40          | 600        | 738       | 45,0      | 658,0     | G 3/8" | 26         | 12,28      |
| HK HT 04 50 0300 | 70          | 50          | 300        | 450       | 50,0      | 365,0     | G 3/8" | 30         | 10,47      |
| HK HT 04 50 0400 | 70          | 50          | 400        | 550       | 50,0      | 465,0     | G 3/8" | 30         | 12,86      |
| HK HT 04 50 0500 | 70          | 50          | 500        | 650       | 50,0      | 565,0     | G 3/8" | 30         | 15,14      |
| HK HT 04 50 0600 | 70          | 50          | 600        | 750       | 50,0      | 665,0     | G 3/8" | 30         | 17,50      |

Ø S = 活塞杆直径