

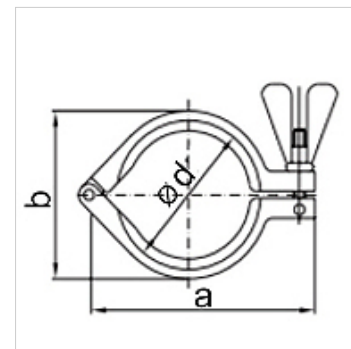
TRI KLAMMER VA

Clamp bracket, VA

HANSA FLEX

属性

应用	Clamping components for TRI-clamp connections
标准	DIN 32676
规格	Clamp stainless steel
原料	不锈钢



订购指南

其他规格可应客户要求提供

货品

名称	a (mm)	b (mm)	Ø d (mm)
TRI KLAMMER 34 VA	63,0	45,0	34,0
TRI KLAMMER 50.5 VA	88,0	64,0	50,5
TRI KLAMMER 64 VA	105,0	77,0	64,0
TRI KLAMMER 91 VA	137,0	104,0	91,0
TRI KLAMMER 119 VA	168,0	132,0	119,0