

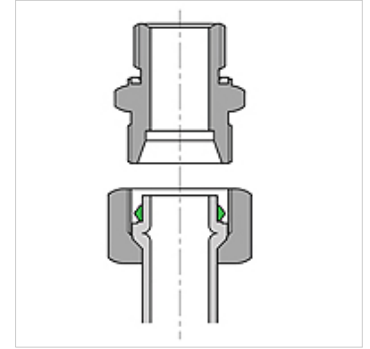
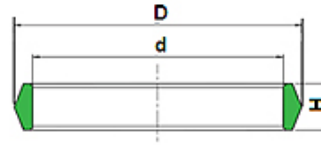
# WD WR

用于UEM..WR的软密封

**HANSA FLEX**

## 属性

|      |                   |
|------|-------------------|
| 结构类型 | 软密封               |
| 原料   | FPM 80 Shore      |
| 温度范围 | -20 °C to +180 °C |



## 货品

| 名称            | 结构系列 | 用于螺纹       | Ø d1<br>(mm) | Ø Da<br>(mm) | S<br>(mm) |
|---------------|------|------------|--------------|--------------|-----------|
| WD NW 04 L WR | L    | M 12 x 1.5 | 6            | 8,0          | 2,7       |
| WD NW 06 L WR | L    | M 14 x 1.5 | 8            | 10,0         | 2,7       |
| WD NW 08 L WR | L    | M 16 x 1.5 | 10           | 12,2         | 3,0       |
| WD NW 10 L WR | L    | M 18 x 1.5 | 12           | 14,2         | 3,0       |
| WD NW 13 L WR | L    | M 22 x 1.5 | 15           | 17,2         | 3,0       |
| WD NW 16 L WR | L    | M 26 x 1.5 | 18           | 20,2         | 3,0       |
| WD NW 20 L WR | L    | M 30 x 2   | 22           | 24,2         | 3,0       |
| WD NW 25 L WR | L    | M 36 x 2   | 28           | 30,2         | 3,0       |
| WD NW 32 L WR | L    | M 45 x 2   | 35           | 37,8         | 3,5       |
| WD NW 40 L WR | L    | M 52 x 2   | 42           | 44,8         | 3,5       |
| WD NW 13 S WR | S    | M 24 x 1.5 | 16           | 18,2         | 3,0       |
| WD NW 16 S WR | S    | M 30 x 2   | 20           | 23,0         | 3,7       |
| WD NW 20 S WR | S    | M 36 x 2   | 25           | 28,0         | 3,7       |
| WD NW 25 S WR | S    | M 42 x 2   | 30           | 33,0         | 3,9       |
| WD NW 32 S WR | S    | M 52 x 2   | 38           | 40,8         | 3,5       |

## 是下述产品的备件

UEM FM WR 锁紧螺母 WALRING