

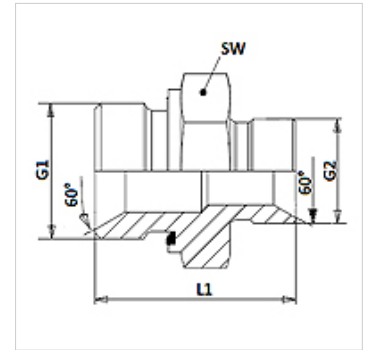
# GE HRED HB

旋入式接套

**HANSA FLEX**

## 属性

接口 1	BSP外螺纹,圆柱形
密封形式 1	E型
接口 2	BSP外螺纹,圆柱形
密封形式 2	60°内锥
结构类型	旋入式接套
结构形式	直道
原料	钢
表面保护	电镀涂层



## 提示

可作为带 ED 的螺纹旋入装置使用和作为 60° 内锥体的连接器使用

## 货品

名称	G1	G2	L1 (mm)	SW (mm)
GE HRED 02 HB	G 1/8" -28	G 1/8" -28	24,0	14
GE HRED 04 HB 02	G 1/4" -19	G 1/8" -28	28,5	19
GE HRED 04 HB	G 1/4" -19	G 1/4" -19	33,0	19
GE HRED 04 HB 06	G 1/4" -19	G 3/8" -19	34,5	19
GE HRED 06 HB 04	G 3/8" -19	G 1/4" -19	33,5	22
GE HRED 06 HB	G 3/8" -19	G 3/8" -19	35,0	22
GE HRED 06 HB 08	G 3/8" -19	G 1/2" -14	38,5	22
GE HRED 08 HB 06	G 1/2" -14	G 3/8" -19	37,5	27
GE HRED 08 HB	G 1/2" -14	G 1/2" -14	41,0	27
GE HRED 08 HB 10	G 1/2" -14	G 5/8" -14	43,0	27
GE HRED 08 HB 12	G 1/2" -14	G 3/4" -14	45,0	32
GE HRED 12 HB 08	G 3/4" -14	G 1/2" -14	43,0	32
GE HRED 12 HB	G 3/4" -14	G 3/4" -14	47,0	32
GE HRED 12 HB 16	G 3/4" -14	G 1" -11	51,0	32
GE HRED 16 HB 12	G 1" -11	G 3/4" -14	49,0	41
GE HRED 16 HB	G 1" -11	G 1" -11	53,0	41
GE HRED 20 HB 16	G 1.1/4" -11	G 1" -11	55,0	50
GE HRED 20 HB	G 1.1/4" -11	G 1.1/4" -11	58,0	50
GE HRED 24 HB	G 1.1/2" -11	G 1.1/2" -11	64,0	55

SW = 对应边宽度

## 备件

WD 用于ED螺栓连接的软密封