

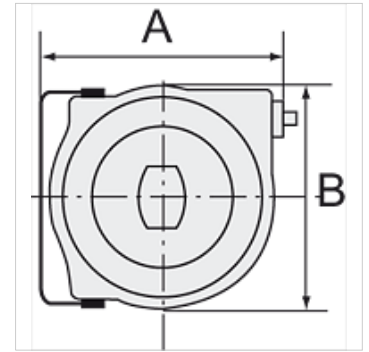
K-SCHL-AUFROLLER LU WA L

Hose reels for compressed air and water, lightweight type

HANSA FLEX

属性

| | |
|-------|--|
| 软管材料 | PVC |
| 工作压力 | max. 12 bar (K-07100622); max. 20 bar (K-07100623) |
| 工作温度 | max. +60 °C |
| 输入端接套 | G 1/4 |
| 转动角度 | 180° |



提示

其它数据应客户要求提供。

描述

High-quality, impact-resistant polypropylene housing. An automatic latching mechanism allows the hose to be engaged at any length. Enclosed spring. Precise locking device for continuous feeding or stop function. Reel guide prevents excessive wear on the hose.

货品

| 名称 | 软管尺寸 | A (mm) | B (mm) | 软管长度 (m) |
|----------------|--------------|-----------|-----------|-------------|
| K- 07 10 06 22 | 12 mm x 8 mm | 340,0 | 311,0 | 8 |
| K- 07 10 06 23 | 12 mm x 6 mm | 445,0 | 400,0 | 15 |