

K-SAUGPLATTENAUFHAENGUNG

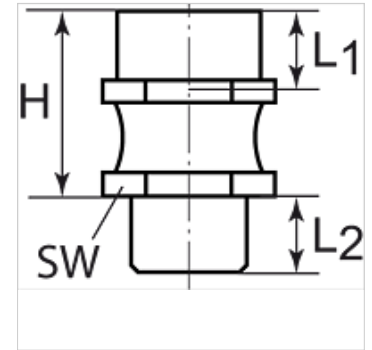
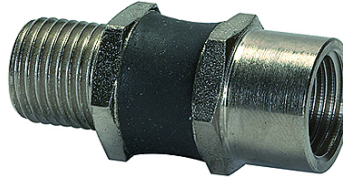
Flexible suction pad mountings

HANSA FLEX

属性

应用 For handling of workpieces with sloping using large-area vacuum gripper
Handling of large plates that can sag when lifting
In combination with spring plungers to compensate height-differences and Unevenness

特殊的属性 very good adaptation to oblique workpiece surfaces
automatic Rückstellung in die Ausgangslage
vacuum-tight design with integrated protection against damage



提示

其它数据应客户要求提供。

描述

Flexible suction pad mounting. By flexing in all directions, this mounting allows the suction pad to better adapt itself to sloping workpieces.

货品

名称	内螺纹 1	外螺纹 2	H (mm)	原料	L1 (mm)	L2 (mm)	弯角 W (°)	垂直负荷 (N/m ²)	弯曲力矩 (N/m ²)	SW (mm)
K- 07 45 01 47	G 1/4	M 10 x 1.25	27,0	Steel, rubber	10,5	8,0	12	500	8,0	17
K- 07 45 01 48	G 1/4	G 1/4	27,0	Steel, rubber	12,0	12,0	12	750	10,0	17