

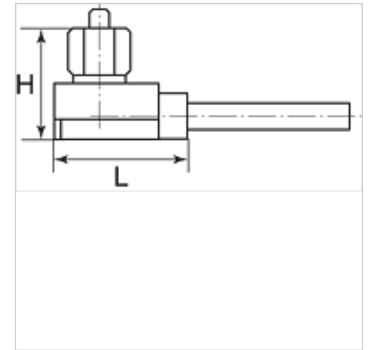
# K-VAKUUMSENSOR ANALOG

Vacuum sensor, analogue

**HANSA FLEX**

## 属性

应用	Measurement of vacuum values close to the suction pad Remote evaluation of the signals Processing the output signals, for example, by PLC
适用介质	dry, oil-free air and non-aggressive gases
温度范围	0 - 50 °C
输出信号	1 to 5 analogous to V
滞后	Fixed: 20 mbar (model with digital sensor)
线缆长度	3 m
保护等级	IP 40



## 提示

其它数据应客户要求提供。

## 描述

Mini-sensor with housing and connection cable, analogue or digital output signal. Minimum size and low weight combined with high measuring accuracy.

## 货品

名称	接口	H (mm)	L (mm)	测量范围	电压
K- 07 45 01 56	M 5 male	16,9	21,0	-1 bis 0 bar	10 - 24 V DC