

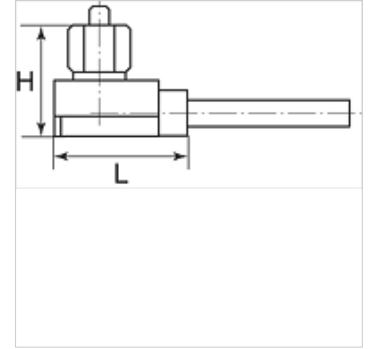
# K-VAKUUMSENSOR DIGITAL

Vacuum sensor, digital

**HANSA FLEX**

## 属性

|      |   |
|------|---|
| 应用   | Measurement of vacuum values close to the suction pad<br>Remote evaluation of the signals<br>Processing the output signals, for example, by PLC |
| 适用介质 | dry, oil-free air and non-aggressive gases  |
| 温度范围 | 0 - 50 °C   |
| 输出信号 | 1 to 5 analogous to V   |
| 滞后   | Fixed: 20 mbar (model with digital sensor)  |
| 线缆长度 | 3 m   |
| 保护等级 | IP 40   |



## 提示

其它数据应客户要求提供。

## 描述

Mini-sensor with housing and connection cable, analogue or digital output signal. Minimum size and low weight combined with high measuring accuracy.

## 货品

| 名称             | 接口       | H<br>(mm) | L<br>(mm) | 测量范围         | 电压           |
|----------------|----------|-----------|-----------|--------------|--------------|
| K- 07 45 01 57 | M 5 male | 16,9      | 21,0      | -1 bis 0 bar | 10 - 24 V DC |