

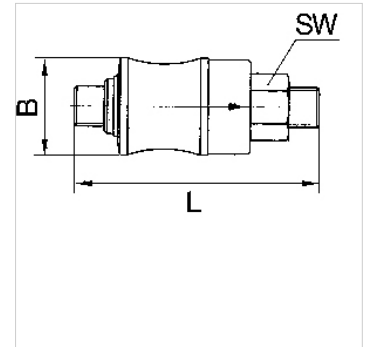
K-HAND-SCHIEBEVENTIL

Manual slide valves

HANSA FLEX

属性

工作压力	最大 10 巴
工作温度	max. +70 °C



提示

其它数据应客户要求提供。

描述

For use on devices that have to be vented whenever they are turned off, either because of safety regulations or for technical reasons. The pneumatic devices are disconnected from the system and simultaneously vented each time they are shut off.

货品

名称	螺纹	B (mm)	L (mm)	SW (mm)
K- 07 30 15 92	G 1/8	21,0	67,0	14
K- 07 30 15 93	G 1/4	24,0	77,0	17
K- 07 30 15 94	G 3/8	31,0	87,0	22
K- 07 30 15 95	G 1/2	35,0	104,0	26