

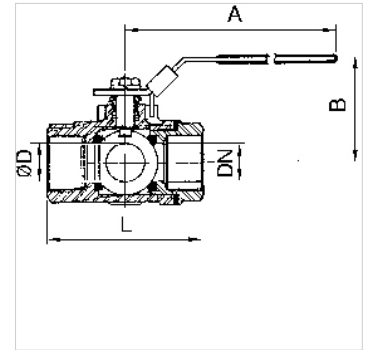
# K-3 BKR L VA

3-way ball valves, L-bore

**HANSA FLEX**

## 属性

工作压力	max. 63 bar
工作温度	max. 160 °C
孔	L形
校准值	Up to 40 °C: 63 bar, 150 °C: 28 bar
密封	RTFE
手柄	Stainless steel
球阀	Stainless steel 1.4408



## 提示

G thread acc. to DIN EN ISO 228-1, with ISO flange plate (acc. to ISO 5211)  
其它数据应客户要求提供。

## 描述

With L-bore, reduced bore. Version for sealing on all sides with integrated ISO flange plate (ISO 5211). The lever can be turned 360° to allow several switching variants.

## 订购指南

For use on devices that have to be vented whenever they are turned off, either because of safety regulations or for technical reasons. The pneumatic devices are disconnected from the system and simultaneously vented each time they are shut off.

## 附加信息

G thread acc. DIN EN ISO 228-1

## 货品

名称	DN	螺纹	A (mm)	B (mm)	L (mm)	Ø D (mm)
K- 07 30 15 02	8	G 1/4	114,0	73,0	80,0	11,0
K- 07 30 15 03	10	G 3/8	114,0	73,0	80,0	11,0
K- 07 30 15 04	15	G 1/2	114,0	73,0	80,0	12,5
K- 07 30 15 05	20	G 3/4	133,0	78,0	87,0	16,0
K- 07 30 15 06	25	G 1	133,0	83,0	100,0	20,0
K- 07 30 15 07	32	G 1 1/4	187,0	92,0	123,0	25,0
K- 07 30 15 08	40	G 1 1/2	187,0	98,0	142,0	31,8
K- 07 30 15 09	50	G 2	187,0	126,0	170,0	38,1