

# K-BKR MINI GLATTE OBERFLAECHE

Mini ball valves

**HANSA FLEX**

## 属性

应用范围 Compressed air, water, oils, non-toxic gases

工作压力 最大 10 巴

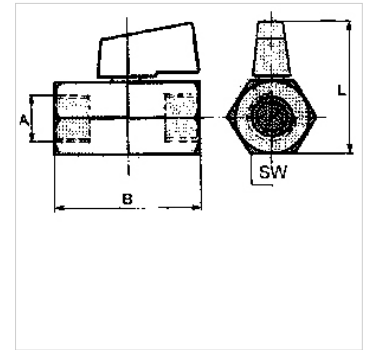
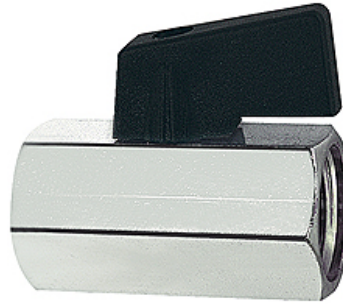
介质温度 -10 °C to +80 °C

壳体 and 球体 Nickel-plated brass

手杆, 旋柄 Plastic

球密封 PTFE

主轴密封 NBR



## 提示

其它数据应客户要求提供。

## 货品

名称	螺纹	B (mm)	L (mm)	SW (mm)
K- 07 30 20 86	G 1/8 female	39,0	38,0	20
K- 07 30 20 87	G 1/4 female	39,0	38,0	20
K- 07 30 20 88	G 3/8 female	42,0	38,0	20
K- 07 30 20 89	G 1/2 female	47,0	38,0	24
K- 07 30 20 82	G 1/8 female/male	39,0	38,0	20
K- 07 30 20 83	G 1/4 female/male	39,0	38,0	20
K- 07 30 20 84	G 3/8 female / male	40,0	38,0	20
K- 07 30 20 85	G 1/2 female/male	45,0	38,0	24