

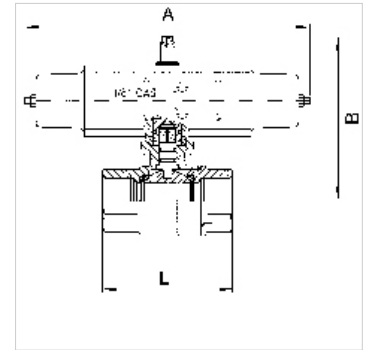
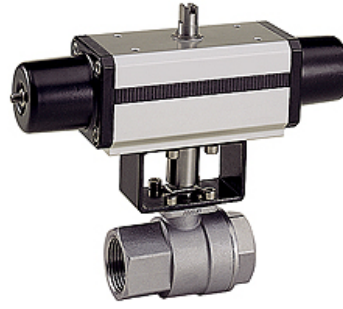
K-BKR EI FED VA

Stainless steel ball valves, single-acting actuator, spring to close

HANSA FLEX

属性

结构类型	Pneumatic, double-piston, part-turn actuator, double-rocker principle
工作压力	max. 160 bar (G 3/8, G 1/2); max. 100 bar (G 3/4, G 1); max. 60 bar (G 1 1/4, G 1 1/2); max. 40 bar (G 2)
工作温度	-20 °C to +150 °C
旋转角	90 °
控制压力	5.6 bar
阀门适配器	Supplied as standard
温度范围	-20 °C to +80 °C
驱动器	aluminium eloxed
驱动器密封件	NBR
球阀	Stainless steel 1.4401/1.4301/1.4310/1.4408, with ISO-flange plate
球阀密封件	PTFE/FKM



提示

其它数据应客户要求提供。

货品

名称	DN	螺纹	A (mm)	B (mm)	L (mm)
K- 07 30 02 68	10	Rp 3/8	221,0	142,0	51,0
K- 07 30 02 69	15	Rp 1/2	221,0	147,0	61,0
K- 07 30 02 70	20	Rp 3/4	240,0	163,0	70,0
K- 07 30 02 71	25	Rp 1	240,0	167,0	85,0
K- 07 30 02 72	32	Rp 1 1/4	294,0	183,0	95,0
K- 07 30 02 73	40	Rp 1 1/2	320,0	207,0	105,0
K- 07 30 02 74	50	Rp 2	357,0	234,0	125,0