

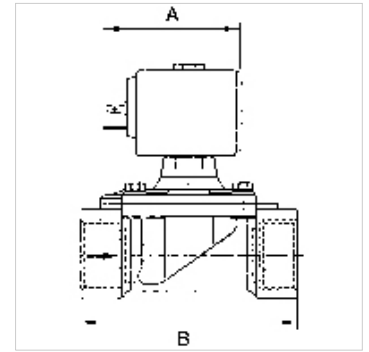
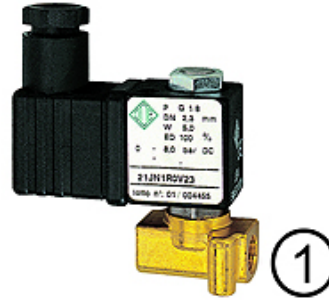
K-MV G D 230 V, 50 - 60 HZ 1

Normally closed, directly operated, 230 V, 50 to 60 Hz

HANSA FLEX

属性

电接口	For connector socket Pg 9/Pg 11, acc. to ISO 4400
保护等级	IP65 (with connector socket fitted)
介质温度	-10 °C to +90 °C (NBR); -10 °C bis +140 °C (FKM)
壳体, 阀座	Brass
内部部件	Stainless steel
密封	Perbunan (NBR) or FKM



提示

其它数据应客户要求提供。

描述

Economy series available in three different versions: Directly operated, Combined operation, Pilot-operated. For all applications with compressed air, neutral gases or low-viscosity, neutral media.

货品

名称	螺纹	最大工作压力 (bar)	NW	密封材料	A (mm)	B (mm)	结构形式
K- 07 30 22 39	G 1/8	18	2,3	FKM	41,0	30,0	1
K- 07 30 22 40	G 1/8	6	2,3	FKM	41,0	30,0	1
K- 07 30 22 41	G 1/8	14	2,5	FKM	54,0	40,0	2
K- 07 30 22 42	G 1/8	10	3,0	FKM	54,0	40,0	2
K- 07 30 22 43	G 1/4	14	2,5	FKM	54,0	40,0	2
K- 07 30 22 44	G 1/4	10	3,0	FKM	54,0	40,0	2
K- 07 30 22 45	G 1/4	5	4,5	FKM	54,0	40,0	2