

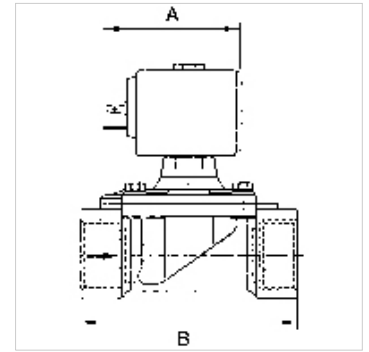
# K-MV G Z 24 V DC

Normally closed, combined operation, 24 V DC (direct current)

**HANSA FLEX**

## 属性

电接口	For connector socket Pg 9/Pg 11, acc. to ISO 4400
保护等级	IP65 (with connector socket fitted)
介质温度	-10 °C to +90 °C (NBR); -10 °C bis +140 °C (FKM)
壳体, 阀座	Brass
内部部件	Stainless steel
密封	Perbunan (NBR) or FKM



## 提示

其它数据应客户要求提供。

## 描述

Economy series available in three different versions: Directly operated, Combined operation, Pilot-operated. For all applications with compressed air, neutral gases or low-viscosity, neutral media.

## 货品

名称	螺纹	最大工作压力 (bar)	NW	密封材料	A (mm)	B (mm)	结构形式
K- 07 30 23 55	G 3/8	14	11,0	NBR/PA	67,0	56,0	8
K- 07 30 23 56	G 1/2	14	16,0	NBR/PA	67,0	70,0	8
K- 07 30 23 57	G 3/4	14	16,0	NBR/PA	67,0	70,0	8
K- 07 30 23 58	G 1	6	25,0	NBR/PA	67,0	104,0	8