

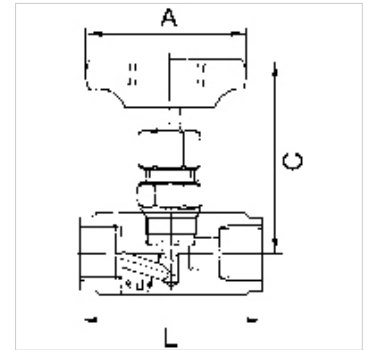
K-NADELVENTILE VA

Needle valves

HANSA FLEX

属性

工作压力	max. 400 bar (at 20 °C); max. 250 bar (at G 1 - 20 °C)
工作温度	-20 °C to +120 °C
密封材料	PTFE
壳体	Stainless steel 1.4571
手轮	Plastic
原料	sealing: PTFE



提示

G thread acc. to DIN EN ISO 228-1, with ISO flange plate (acc. to ISO 5211)
其它数据应客户要求提供。

订购指南

For use on devices that have to be vented whenever they are turned off, either because of safety regulations or for technical reasons. The pneumatic devices are disconnected from the system and simultaneously vented each time they are shut off.

附加信息

Port sizes G 1 1/4, G 1 1/2 and G 2 available on request

货品

名称	DN	螺纹	A (mm)	C (mm)	L (mm)
K- 07 30 24 03	4	G 1/8	50,0	74,0	50,0
K- 07 30 24 04	5	G 1/4	50,0	73,0	50,0
K- 07 30 24 05	6	G 3/8	50,0	72,0	55,0
K- 07 30 24 06	8	G 1/2	63,0	83,0	60,0
K- 07 30 24 07	10	G 3/4	63,0	100,0	75,0
K- 07 30 24 08	12	G 1	80,0	110,0	100,0