

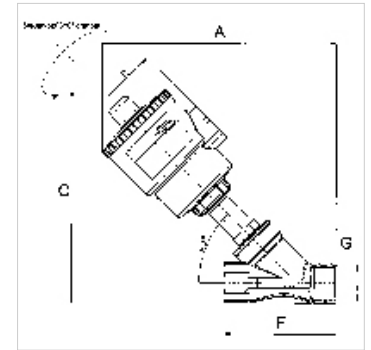
K-SSV BR

Angle-seat valves with piston actuator

HANSA FLEX

属性

压力差	0 - 16 bar
介质温度	-10 °C to +180 °C
操纵空气接口	G 1/8
控制介质温度	max. +60 °C
环境温度	-20 °C to +70 °C
许可的静态压力	Max. 16 bar
阀门壳体	Bronze
连接件	Stainless steel
操纵头	Polyamide (glass fibre-reinforced)
活塞	Nickel-plated brass (DN 15 to DN 32), PBT + GF 30% (DN 40 to DN 50)
主轴	Stainless steel
密封材料	PTFE



提示

G thread acc. to DIN EN ISO 228-1, with ISO flange plate (acc. to ISO 5211)

For use on devices that have to be vented whenever they are turned off, either because of safety regulations or for technical reasons. The pneumatic devices are disconnected from the system and simultaneously vented each time they are shut off.

其它数据应客户要求提供。

描述

Angle-seat valves with external pilot control and a self-aligning valve disc for neutral (bronze body) or corrosive (stainless steel body) media. Very high flow due to angled seat design, Water hammer prevented by fluid entry under the disc, Suitable for vacuum operation (low vacuum), NAMUR interface on the piston actuator. 3/2 and 5/2-way valves can be mounted directly.

附加信息

Other versions e.g. for steam on request

Information on max. operating differential pressures apply for air, gas, corrosive aggressive media, water

货品

名称	A (mm)	C (mm)	F (mm)	螺纹	最大工作压差 (bar)	最小控制压力	最大操纵压力
K- 07 30 25 24	163,0	153,0	65,0	G 1/2	16	4	10
K- 07 30 25 25	173,0	163,0	75,0	G 3/4	10	4	10
K- 07 30 25 26	191,0	181,0	75,0	G 3/4	16	4	10
K- 07 30 25 27	206,0	196,0	90,0	G 1	11	4	10
K- 07 30 25 28	246,0	236,0	90,0	G 1	16	4	8
K- 07 30 25 29	255,0	245,0	110,0	G 1 1/4	14	4	8
K- 07 30 25 30	270,0	264,0	120,0	G 1 1/2	11	4	8
K- 07 30 25 31	306,0	300,0	120,0	G 1 1/2	16	4	8
K- 07 30 25 32	316,0	311,0	150,0	G 2	10	4	8