

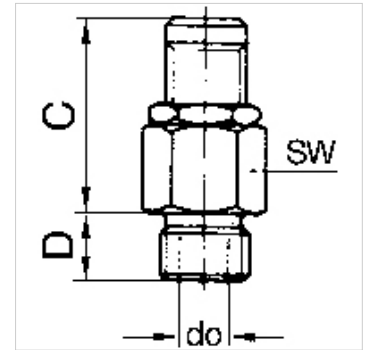
# K-ABBLV VA 1

Stainless steel blow-off safety valves, G 1/8

**HANSA FLEX**

## 属性

工作压力	0.5 - 60 bar
工作温度	max. 180 °C
密封	FKM
弹簧	Stainless steel 1.4310
壳体	Stainless steel 1.4305



## 提示

G thread acc. to DIN EN ISO 228-1, with ISO flange plate (acc. to ISO 5211)  
其它数据应客户要求提供。

## 描述

Manual adjustment of the blow-off pressure (lock nut).

## 订购指南

For use on devices that have to be vented whenever they are turned off, either because of safety regulations or for technical reasons. The pneumatic devices are disconnected from the system and simultaneously vented each time they are shut off.

## 附加信息

These blow-off valves can also be supplied with a fixed setting and a TÜV type test number. Please ask for an offer.

## 货品

名称	螺纹	起动压力	排气性能	C (mm)	D (mm)	do (mm)	SW (mm)
K- 07 30 21 75	G 1/8	0.5 - 1.0 bar	to 50 l/min	27,0	7,0	3,0	16
K- 07 30 21 76	G 1/8	1.0 - 4.0 bar	to 200 l/min	27,0	7,0	3,0	16
K- 07 30 21 77	G 1/8	3.0 - 7.0 bar	to 350 l/min	27,0	7,0	3,0	16
K- 07 30 21 78	G 1/8	6.0 - 12.0 bar	to 650 l/min	27,0	7,0	3,0	16
K- 07 30 21 79	G 1/8	10.0 - 18.0 bar	to 870 l/min	27,0	7,0	3,0	16
K- 07 30 21 80	G 1/8	16.0 - 32.0 bar	to 1600 l/min	27,0	7,0	3,0	16
K- 07 30 21 81	G 1/8	30.0 - 60.0 bar	to 3000 l/min	27,0	7,0	3,0	16