

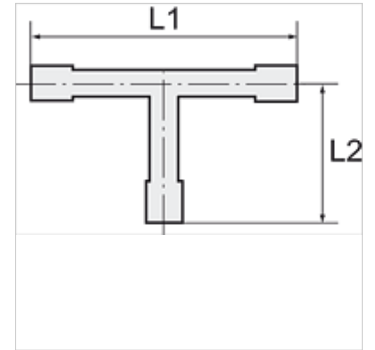
K-T-EINSCHR STUTZEN

Male stud tees, polyamide, conical male thread acc. to ISO 7-1

HANSA FLEX

属性

温度范围 -40 °C to +90 °C



提示

其它数据应客户要求提供。

描述

Lightweight tube connectors distinguished by high strength, toughness, resistance to abrasion and impact resistance. Resistant to: Acetone, benzene, benzene, butane, alcohols, diesel fuels, crude oil, natural gas, ethanol, fruit juices, glycerine, fuel oil, hydraulic fluids, aliphatic ketones, carbon dioxide, carbonic acid, engine oils, methanol, propane, liquefied gas, lubricating oils, lubricating greases, town gas, washing liquor and water.

货品

名称	螺纹	用于软管	L1 (mm)	L2 (mm)	最大许可过压 (bar)	SW
K- 07 40 16 79	R 1/8	LW 4 mm	42,0	18,0	10	10 mm
K- 07 40 16 80	R 1/8	LW 6 mm	57,0	21,0	10	10 mm
K- 07 40 16 81	R 1/4	LW 4 mm	42,0	23,0	10	14 mm
K- 07 40 16 82	R 1/4	LW 6 mm	57,0	26,0	10	14 mm
K- 07 40 16 83	R 1/4	LW 8 mm	66,0	27,5	10	14 mm
K- 07 40 46 53	R 3/8	LW 10 mm	71,0	30,0	10	17 mm