

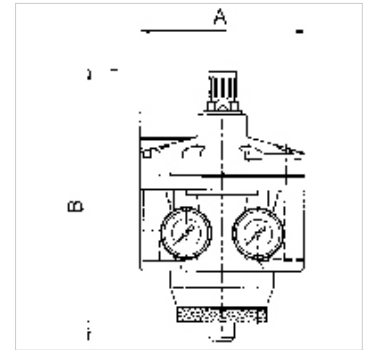
# K-HOCHLEIST DRUCKREGLER

Heavy-duty pressure regulators

**HANSA FLEX**

## 属性

入口压力	Max. 25 bar
介质温度	max. 60 °C
环境温度	Max. 60 °C
流量	50000 l/min
密封材料	NBR
壳体	Aluminium, painted silver
流量值测量	At P1 = 8 bar, P2 = 6 bar and pressure drop $\Delta p = 1$ bar



## 提示

其它数据应客户要求提供。

## 描述

Diaphragm pressure regulators, independent of inlet pressure, with internal pilot control and self-relieving design for very high flow rates. Separate indication of input and working pressure on two pressure gauges. The pressure setting can be locked by pushing the knob down. We recommend always using these controllers in conjunction with our K-07250607 and K-07250609 filters.

## 货品

名称	螺纹	调节范围	A (mm)	B	DN
K- 07 25 08 03	G 1 1/2	0.1 - 3 bar	188,0	261,0 mm	50
K- 07 25 08 04	G 1 1/2	0.2 - 6 bar	188,0	261,0 mm	50
K- 07 25 08 05	G 1 1/2	0.5 - 10 bar	188,0	261,0 mm	50
K- 07 25 08 06	G 1 1/2	0.5 - 16 bar	188,0	261,0 mm	50
K- 07 25 08 07	G 2	0.1 - 3 bar	160,0	261,0 mm	50
K- 07 25 08 08	G 2	0.2 - 6 bar	160,0	261,0 mm	50
K- 07 25 08 09	G 2	0.5 - 10 bar	160,0	261,0 mm	50
K- 07 25 08 10	G 2	0.5 - 16 bar	160,0	261,0 mm	50

## 备件

K-VERSCHLEI-SATZ	Set of wearing parts
K-LOESBARE DOPPELNIPPEL MS	Double nipples