

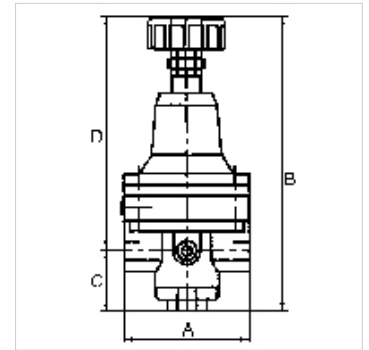
K-PRAEZI DRUCKREGLER SELU

Precision pressure regulators

HANSA FLEX

属性

入口压力	Max. 16 bar
介质温度	max. 60 °C
环境温度	Max. 60 °C
适用介质	Micro-filtered, unoled compressed air (0.01 µm)
压力计接口	G 1/4
排气接口	G 3/8 (for mounting a silencer)
密封材料	NBR
壳体	Die-cast zinc
自身空气消耗	1.5 - 6 l/min, depending on input pressure and control range



提示

The given flow rates are based on the following parameters: 1200 l/min: P1: 5 bar, P2: 3 bar, $\Delta p \leq 0.1$ bar

1400 l/min: P1: 7 bar, P2: 5 bar, $\Delta p \leq 0.1$ bar

1500 l/min: P1: 10 bar, P2: 7 bar, $\Delta p \leq 0.1$ bar. Wear parts kit not supplied! Pressure regulator may only be opened in the factory!

其它数据应客户要求提供。

描述

With high flow rate and large secondary relief port. Diaphragm pressure regulators with large secondary relief port for applications requiring an extremely accurate working pressure, especially at high flow rates.

附加信息

on Art. K-07250721: Max. inlet pressure 300 bar. Other cylinder pressure regulators available on request.

1500 l/min: P1: 10 bar, P2: 7 bar, $\Delta p \leq 0.1$ bar.

货品

名称	螺纹	调节范围	流量 (L/min)	A (mm)	C (mm)	D (mm)
K- 07 25 09 28	G 1/4	0.05 - 3 bar	700	82,0	43,5	159,0
K- 07 25 09 29	G 1/4	0.05 - 7 bar	1500	82,0	43,5	159,0
K- 07 25 09 30	G 3/8	0.05 - 3 bar	3000	82,0	43,5	159,0
K- 07 25 09 31	G 3/8	0.05 - 7 bar	5500	82,0	43,5	159,0
K- 07 25 09 32	G 1/2	0.05 - 3 bar	3000	82,0	43,5	159,0
K- 07 25 09 33	G 1/2	0.05 - 5 bar	4500	82,0	43,5	159,0
K- 07 25 09 34	G 1/2	0.05 - 7 bar	5500	82,0	43,5	159,0

备件

K-HALTERBAUSATZ STANDARD	Holder
K-KM MS	Hexagonal lock nuts, brass
K-SCHALLDAEPFER VYON	Vyon silencers
K-FILTERELEMENT	Filter element
K-XV AGM 2	Double nipples, parallel male thread