

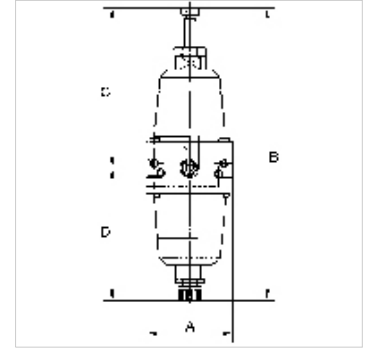
K-PRAEZISIONSFILTERREGLER

Precision filter regulators

HANSA FLEX

属性

入口压力	Max. 16 bar
介质温度	max. 60 °C
环境温度	Max. 60 °C
适用介质	Micro-filtered, unoled compressed air (0.01 µm)
压力计接口	G 1/4
过滤器元件中的气孔宽度	10 µm
密封材料	NBR
壳体	Die-cast zinc
自身空气消耗	0.01 l/min, depending on input pressure and control range



提示

The given flow rates are based on the following parameters: 750 l/min: P1: 8 bar, P2: 2 bar, $\Delta p \leq 0.2$ bar

750 l/min: P1: 8 bar, P2: 3 bar, $\Delta p \leq 0.5$ bar

750 l/min: P1: 8 bar, P2: 5 bar, $\Delta p \leq 0.7$ bar

其它数据应客户要求提供。

描述

Diaphragm pressure regulators containing no non-ferrous metals, with selfrelieving design, combined with a centrifugal separator for applications requiring an extremely accurate working pressure.

附加信息

1500 l/min: P1: 10 bar, P2: 7 bar, $\Delta p \leq 0.1$ bar.

货品

名称	螺纹	调节范围	流量 (L/min)	A (mm)	B	C (mm)	D (mm)
K- 07 25 09 86	G 1/4	0.1 - 2 bar	750	60,0	216,0 mm	120,0	96,0
K- 07 25 09 87	G 1/4	0.1 - 3 bar	750	60,0	216,0 mm	120,0	96,0
K- 07 25 09 88	G 1/4	0.2 - 5 bar	750	60,0	216,0 mm	120,0	96,0

备件

K-HALTERBAUSATZ STANDARD	Holder
K-VERSCHLEI-SATZ	Set of wearing parts