

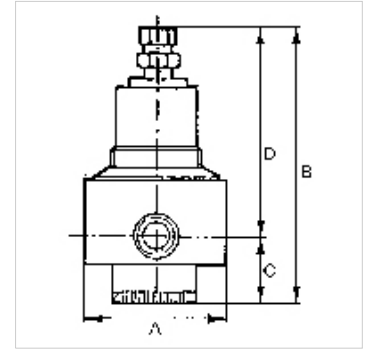
# K-DRG RUECKSTERERBAR M MANO VA

Reversible, stainless steel pressure regulators with self-relieving design, stainless steel pressure gauge

**HANSA FLEX**

## 属性

入口压力	Max. 30 bar (Control range 0.5 - 8.0 bar), Max. 50 bar (Control range 1.0 - 15.0 bar)
介质温度	max. 80 °C
环境温度	Max. 80 °C
密封材料	FKM
膜片	PTFE
原料	stainless steel 1.4404 (AISI 316L)
流量值测量	At P1 = 8 bar, P2 = 6 bar and pressure drop $\Delta p \leq 1$ bar



## 提示

其它数据应客户要求提供。

## 描述

Stainless steel regulators containing no non-ferrous metals for use in the food processing, chemical, mining, plant construction and special machinery industries as well as in the medical technology.

## 订购指南

NPT thread available on request

## 货品

名称	螺纹	调节范围	流量 (L/min)	A (mm)	B	C (mm)	D (mm)
K- 07 25 02 06	G 1/4	0.5 - 8.0 bar	200	65,0	162,0 mm	37,0	125,0
K- 07 25 02 07	G 1/4	1.0 - 15.0 bar	330	65,0	162,0 mm	37,0	125,0
K- 07 25 02 04	G 1/2	0.5 - 8.0 bar	660	80,0	164,0 mm	37,0	127,0
K- 07 25 02 05	G 1/2	1.0 - 15.0 bar	1800	80,0	164,0 mm	37,0	127,0

## 备件

K-HALTERBAUSATZ EDELSTAHL	Holder
K-MANO	Pressure gauges (CrNi steel type / connection on rear)
K-VERSCHLEI-SATZ	Set of wearing parts