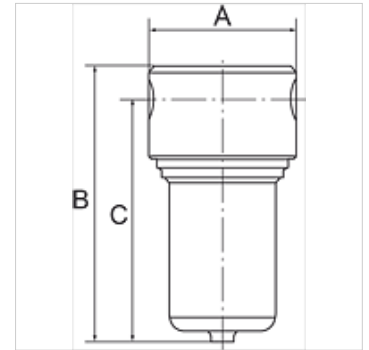


# K-FI VA

## Filters

### 属性

入口压力	Max. 50 bar
介质温度	max. 80 °C
环境温度	Max. 80 °C
过滤元件中的气孔宽度	50 µm
密封材料	FKM
原料	stainless steel 1.4404 (AISI 316L)
Drain valve	Locking screw
流量值测量	At P1 = 6 bar and pressure drop $\Delta p \leq 0.6$ bar



### 提示

其它数据应客户要求提供。

### 描述

Stainless steel filters containing no non-ferrous metals for use in the food processing, chemical, mining, plant construction and special machinery industries as well as in the medical technology.

### 订购指南

Important: This is not a sterile filter! With filter element 5 µm available on request. With manual or fully automatic drain valve on request. With NPT threads available on request.

### 货品

名称	螺纹	流量 (L/min)	A (mm)	B	C (mm)
K- 07 25 05 59	G 1/4	2500	64,0	139,0 mm	125,0
K- 07 25 05 58	G 1/2	3400	80,0	150,0 mm	130,0

### 附件

K-HALTERBAUSATZ Holder

### 备件

K-VERSCHLEI-SATZ Set of wearing parts