

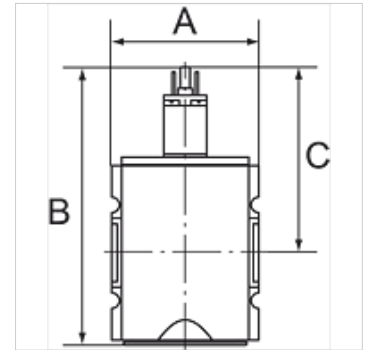
# K-WV 3/2 ELK 230 VAC / 50HZ HANSA

3/2-way valves, electrically operated, with 230 VAC / 50 Hz solenoid

**HANSA FLEX**

## 属性

入口压力	2 - 10 bar
温度范围	-10 °C to +50 °C
适用介质	压缩空气
50 Hz 三相交流电压上紧功率	2,2 VA
接通持续时间	ED 100 %
电接口	Connector type C, ISO 15217, 2 poles +PE
50 Hz 三相交流电压固定功率	1,6 VA
功率消耗 DC	2,5 W
保护等级	IP 65
接口螺纹	Material: Die-cast zinc
壳体	Material: Grivory® (PA 66)
流量值测量	At P2 = 6 bar, pressure drop $\Delta p = 1$ bar



## 提示

其它数据应客户要求提供。

## 描述

Pneumatic systems or parts of systems can be switched on and off by means of an electrical signal. When they are switched off, the system is exhausted at the same time.

## 订购指南

Valves are also available with coil 110 V AC, 50 Hz and in a pneumatically operated version. Please ask for more information.

## 货品

名称	螺纹	出口	流量 (L/min)	A (mm)	B	C (mm)
K- 07 25 11 09	G 1/4	1/4	2000	52,0	117,8 mm	84,8
K- 07 25 11 10	G 3/8	1/4	2000	52,0	117,8 mm	84,8
K- 07 25 11 35	G 3/8	1/2	4500	63,0	150,3 mm	93,8
K- 07 25 11 36	G 1/2	1/2	4500	63,0	150,3 mm	93,8
K- 07 25 11 41	G 3/4	1/2	12500	85,0	177,7 mm	110,7
K- 07 25 11 42	G 1	1/2	12500	85,0	177,7 mm	110,7

## 附件

K-SCHALLDAE SINTERBR S	Silencers, sintered bronze, slotted
K-SCHALLDAE SINTERBR GE MS1	Silencers, sintered bronze, with brass hexagon nut and brass thread

## 备件

K-HALTERBAUSATZ HANSA	Holder HANSA
K-VORSTEUERVENTIL HANSA	Replacement solenoid HANSA
K-GERAETESTECKER FORM C	Connector