

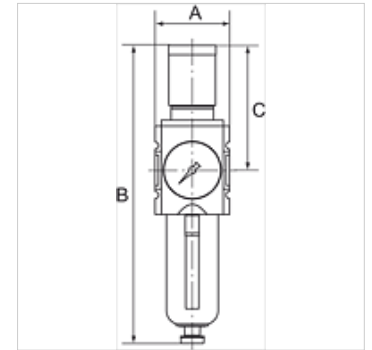
K-FI REGL PC-BEHÄLTER S MANO HANSA

Filter regulators

HANSA FLEX

属性

入口压力	1.5 - 16 bar
出口压力	0.5 - 8 bar
温度范围	-10 °C to +50 °C
适用介质	压缩空气
过滤精度	5,00 µm
接口螺纹	Material: Die-cast zinc
容器	Polycarbonate (with bayonet lock)
过滤器元件	Cellpor (PE)
壳体	Material: Grivory® (PA 66)
膜片	NBR
自身空气消耗	Max. 1.5 l/min (depending on secondary pressure)
流量值测量	At P1 = 10 bar, P2 = 6.3 bar and pressure drop $\Delta p = 1$ bar



提示

其它数据应客户要求提供。

描述

Filter regulators with excellent flow rates in modern design. The regulator knob can be latched and locked.

订购指南

The price does not include a key lock. Please order separately.

货品

名称	螺纹	流量 (L/min)	A (mm)	B	C (mm)	结构尺寸	冷凝水排放
K- 07 25 06 57	G 1/4	2200	52,0	225,0 mm	95,5	-	Semi
K- 07 25 06 58	G 3/8	2600	52,0	225,0 mm	95,5	-	Semi
K- 07 25 06 59	G 3/8	4300	63,0	257,0 mm	110,0	-	Semi
K- 07 25 06 60	G 1/2	5200	63,0	257,0 mm	110,0	-	Semi
K- 07 25 06 53	G 3/4	14000	85,0	329,0 mm	137,0	-	Semi
K- 07 25 06 54	G 1	14000	85,0	329,0 mm	137,0	-	Semi
K- 07 25 06 61	G 1/4	2200	52,0	243,0 mm	95,5	-	Auto
K- 07 25 06 62	G 3/8	2600	52,0	243,0 mm	95,5	-	Auto
K- 07 25 06 63	G 3/8	4300	63,0	274,0 mm	110,0	-	Auto
K- 07 25 06 64	G 1/2	5200	63,0	274,0 mm	110,0	-	Auto
K- 07 25 06 55	G 3/4	14000	85,0	343,0 mm	137,0	4	Auto
K- 07 25 06 56	G 1	14000	85,0	343,0 mm	137,0	4	Auto

附件

K-STECKSCHLOSS Key lock

备件

K-HALTERBAUSATZ HANSA	Holder HANSA
K-ERSATZBEHÄLTER HANSA POLY	Spare tank HANSA polycarbonat
K-SCHALTAFELMUTTER HANSA	Nut HANSA
K-FILTERELEMENT	Filter element
K-DICHTSATZ HANSA	Set of seals HANSA