

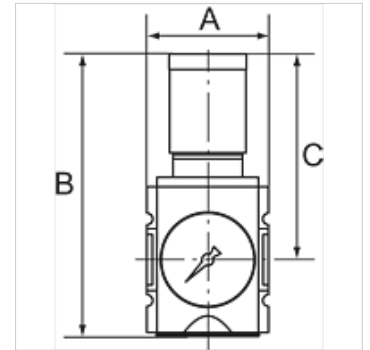
K-PRAEZI DRG MANO HANSA

Precision pressure regulators

HANSA FLEX

属性

入口压力	Max. 16 bar
温度范围	-10 °C to +50 °C
适用介质	压缩空气
接口螺纹	Material: Die-cast zinc
壳体	Material: Grivory® (PA 66)
膜片	NBR
自身空气消耗	2.6 l/min at P2 = 6 bar (depending on secondary pressure)
流量值测量	At P1 = 10 bar, P2 = 6.3 bar and pressure drop $\Delta p = 1$ bar



提示

其它数据应客户要求提供。

描述

Precision diaphragm pressure regulators with self-relieving design and excellent flow rates in modern design for applications requiring an extremely accurate working pressure. The regulator button can be latched and locked.

订购指南

The price does not include a key lock. Please order separately.

货品

名称	螺纹	调节范围	流量 (L/min)	A (mm)	B	C (mm)	结构尺寸
K- 07 25 09 46	G 1/4	0.1 - 1 bar	2200	52,0	128,5 mm	95,5	1
K- 07 25 09 47	G 1/4	0.1 - 2 bar	2200	52,0	128,5 mm	95,5	1
K- 07 25 09 48	G 1/4	0.2 - 4 bar	2200	52,0	128,5 mm	95,5	1
K- 07 25 09 49	G 1/4	0.5 - 8 bar	2200	52,0	128,5 mm	95,5	1
K- 07 25 09 50	G 1/4	0.5 - 10 bar	2200	52,0	128,5 mm	95,5	1
K- 07 25 09 51	G 3/8	0.1 - 1 bar	2700	52,0	128,5 mm	95,5	1
K- 07 25 09 52	G 3/8	0.1 - 2 bar	2700	52,0	128,5 mm	95,5	1
K- 07 25 09 53	G 3/8	0.2 - 4 bar	2700	52,0	128,5 mm	95,5	1
K- 07 25 09 54	G 3/8	0.5 - 8 bar	2700	52,0	128,5 mm	95,5	1
K- 07 25 09 55	G 3/8	0.5 - 10 bar	2700	52,0	128,5 mm	95,5	1
K- 07 25 09 56	G 3/8	0.1 - 1 bar	4300	63,0	149,5 mm	110,0	2
K- 07 25 09 57	G 3/8	0.1 - 2 bar	4300	63,0	149,5 mm	110,0	2
K- 07 25 09 58	G 3/8	0.2 - 4 bar	4300	63,0	149,5 mm	110,0	2
K- 07 25 09 59	G 3/8	0.5 - 8 bar	4300	63,0	149,5 mm	110,0	2
K- 07 25 09 60	G 3/8	0.5 - 10 bar	4300	63,0	149,5 mm	110,0	2
K- 07 25 09 61	G 1/2	0.1 - 1 bar	5000	63,0	149,5 mm	110,0	2
K- 07 25 09 62	G 1/2	0.1 - 2 bar	5000	63,0	149,5 mm	110,0	2
K- 07 25 09 63	G 1/2	0.2 - 4 bar	5000	63,0	149,5 mm	110,0	2
K- 07 25 09 64	G 1/2	0.5 - 8 bar	5000	63,0	149,5 mm	110,0	2
K- 07 25 09 65	G 1/2	0.5 - 10 bar	5000	63,0	149,5 mm	110,0	2

附件

K-STECKSCHLOSS Key lock

备件

K-HALTERBAUSATZ HANSA	Holder HANSA
K-SCHALTAFELMUTTER HANSA	Nut HANSA
K-DICHTSATZ HANSA	Set of seals HANSA