

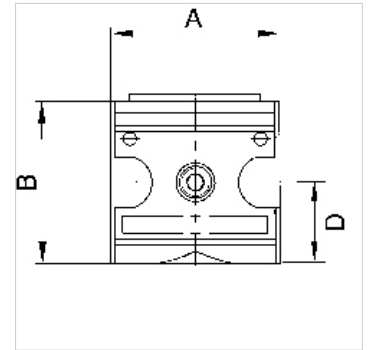
K-ANFAV MULTIFIX

Start-up valves

HANSA FLEX

属性

入口压力	Min. 2 bar, max. 16 bar
介质温度	max. 60 °C
环境温度	Max. 60 °C
密封材料	NBR
壳体	Die-cast zinc, Aluminium for G 3/4 and G 1 variant
流量值测量	At P1 = 6 bar and pressure drop $\Delta p = 1$ bar



提示

其它数据应客户要求提供。

描述

Seat valves operated by secondary pressure for controlled pressurisation of pneumatic systems. The full cross-section of the regulator is opened at 50% of the input pressure. The filling time can be altered by turning the adjusting screw.

货品

名称	螺纹	流量 (L/min)	A (mm)	B	D (mm)
K- 07 25 11 54	G 1/4	1000	47,8	54,2 mm	26,8
K- 07 25 11 55	G 1/2	4000	68,8	71,6 mm	35,1
K- 07 25 19 34	G 3/4	12000	99,7	104,0 mm	52,0
K- 07 25 19 35	G 1	12000	99,7	104,0 mm	52,0

备件

K-KOPPELPAKET MEHR	Coupling packet
K-KOPPELPAKET SCHMA	Coupling packet