

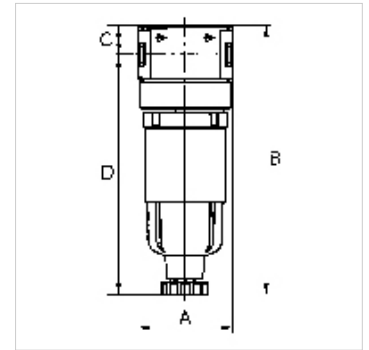
K-FI METALLBEHAEL H ALV MULTIFIX MI

Filters with metal bowl and semi-automatic drain valve

HANSA FLEX

属性

入口压力	Max. 16 bar (polycarbonate bowl), Max. 20 bar (metal bowl)
介质温度	max. 60 °C
环境温度	Max. 60 °C
流量	1000 l/min
过滤器元件中的气孔宽度	5 µm
壳体	Die-cast zinc
Drain valve	Semi-automatic
流量值测量	At P2 = 6 bar and pressure drop $\Delta p = 1$ bar



提示

If several devices in the »multifix-mini« Series are assembled together, the maximum working pressure is 12 bar.
其它数据应客户要求提供。

描述

Centrifugal separators with a sintered filter element.

货品

名称	螺纹	A (mm)	B	C (mm)	D (mm)	DN	结构尺寸
K- 07 25 00 43	G 1/8	40,0	111,6 mm	12,3	99,3	5	0
K- 07 25 00 45	G 1/4	40,0	111,6 mm	12,3	99,3	5	0

备件

K-AUTOMAT ABLASSVENTIL	Automatic drain valve
K-KOPPELPAKET MEHR	Coupling packet
K-ERSATZBEHAELTER MULTI MINI	Spare tank »multifix-mini« & »standard-mini«
K-PC-BEHAELTER FILTER MULTIFIX	Polycarbonate tank filter
K-FILTERELEMENT	Filter element