

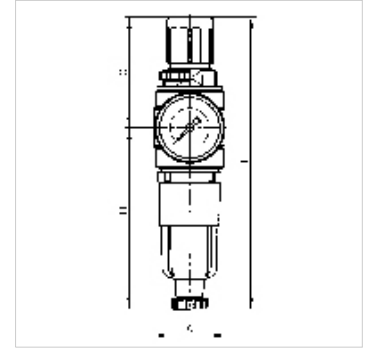
K-FI REGL PC-BEHAEL MANO MULTIFIX M

Filter regulators with polycarbonate bowl and pressure gauge

HANSA FLEX

属性

入口压力	Max. 16 bar (also for metal tank!)
介质温度	max. 60 °C
环境温度	Max. 60 °C
过滤单元中的气孔宽度	5 µm
密封材料	NBR
弹簧罩	POM-brass
壳体	Die-cast zinc
Drain valve	Semi-automatic
流量值测量	At P1 = 8 bar, P2 = 6 bar and pressure drop Δp = 1 bar



提示

其它数据应客户要求提供。

描述

Reversible diaphragm pressure regulators, independent of inlet pressure, with secondary ventilation, in combination with a centrifugal separator. The pressure setting can be locked by pressing in the handwheel.

订购指南

Lockable filter pressure regulators available on request. If several devices in the »multifix-mini« Series are assembled together, the maximum working pressure is 12 bar.

货品

名称	螺纹	调节范围	流量 (L/min)	A (mm)	B	C (mm)	D (mm)	DN	结构尺寸
K- 07 25 00 63	G 1/8	0.1 - 3 bar	950	40,0	165,5 mm	63,0	102,5	5	0
K- 07 25 00 62	G 1/8	0.5 - 10 bar	950	40,0	165,5 mm	63,0	102,5	5	0
K- 07 25 00 65	G 1/4	0.1 - 3 bar	1100	40,0	165,5 mm	63,0	102,5	5	0
K- 07 25 00 66	G 1/4	0.5 - 10 bar	1100	40,0	165,5 mm	63,0	102,5	5	0

备件

K-HALTERBAUSATZ	Holder
K-SCHALTTAFELMUTTER	Nut
K-KOPPELPAKET MEHR	Coupling packet
K-ERSATZBEHAELTER MULTI MINI	Spare tank »multifix-mini« & »standard-mini«
K-PC-BEHAELTER FILTER MULTIFIX	Polycarbonate tank filter
K-FILTERELEMENT	Filter element
K-VERSCHLEI-SATZ	Set of wearing parts
K-AUTOMAT ABLASSVENTIL	Automatic drain valve