

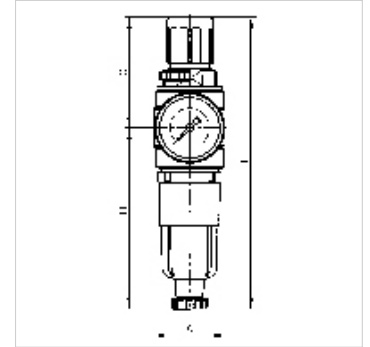
K-FI REGL METALLBEHAE MANO MULTIF M

Filter regulators with metal bowl and pressure gauge

HANSA FLEX

属性

| | |
|-------------|--|
| 入口压力 | Max. 16 bar (also for metal tank!) |
| 介质温度 | max. 60 °C |
| 环境温度 | Max. 60 °C |
| 过滤单元中的气孔宽度 | 5 µm |
| 密封材料 | NBR |
| 弹簧罩 | POM-brass |
| 壳体 | Die-cast zinc |
| Drain valve | Semi-automatic |
| 流量值测量 | At P1 = 8 bar, P2 = 6 bar and pressure drop Δp = 1 bar |



提示

其它数据应客户要求提供。

描述

Reversible diaphragm pressure regulators, independent of inlet pressure, with secondary ventilation, in combination with a centrifugal separator. The pressure setting can be locked by pressing in the handwheel.

订购指南

Lockable filter pressure regulators available on request. If several devices in the »multifix-mini« Series are assembled together, the maximum working pressure is 12 bar.

货品

| 名称 | 螺纹 | 调节范围 | 流量 (L/min) | A (mm) | B | C (mm) | D (mm) | DN | 结构尺寸 |
|----------------|-------|--------------|---------------|-----------|----------|-----------|-----------|----|------|
| K- 07 25 00 61 | G 1/8 | 0.5 - 10 bar | 950 | 40,0 | 162,0 mm | 63,0 | 99,0 | 5 | 0 |
| K- 07 25 00 64 | G 1/4 | 0.5 - 10 bar | 1100 | 40,0 | 162,0 mm | 63,0 | 99,0 | 5 | 0 |

备件

| | |
|--------------------------------|--|
| K-HALTERBAUSATZ | Holder |
| K-SCHALTAFELMUTTER | Nut |
| K-KOPPELPAKET MEHR | Coupling packet |
| K-ERSATZBEHAELTER MULTI MINI | Spare tank »multifix-mini« & »standard-mini« |
| K-PC-BEHAELTER FILTER MULTIFIX | Polycarbonate tank filter |
| K-VERSCHLEI-SATZ | Set of wearing parts |
| K-FILTERELEMENT | Filter element |
| K-AUTOMAT ABLASSVENTIL | Automatic drain valve |