

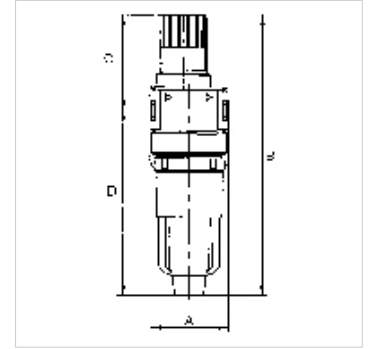
# K-NEBELOEL METALLBEHAEL MULTIFIX MI

Oil-mist lubricators with metal bowl and metal sight dome

**HANSA FLEX**

## 属性

入口压力	Max. 16 bar (polycarbonate bowl), Max. 20 bar (metal bowl)
介质温度	max. 60 °C
环境温度	Max. 60 °C
流量	1000 l/min
密封材料	NBR
壳体	Die-cast zinc
泄水头	PA (polycarbonate bowl), Zinc-glass-NBR (metal bowl)
油种类	CL 32 acc. to DIN 51517 - ISO VG 32
流量值测量	At P2 = 6 bar and pressure drop $\Delta p = 1$ bar



## 提示

If several devices in the »multifix-mini« Series are assembled together, the maximum working pressure is 12 bar.  
其它数据应客户要求提供。

## 描述

Micro-lubricators, oil can be filled under pressure.

## 货品

名称	螺纹	A (mm)	B	C (mm)	D (mm)	DN	结构尺寸
K- 07 25 00 88	G 1/8	40,0	147,6 mm	62,6	85,0	5	0
K- 07 25 00 90	G 1/4	40,0	147,6 mm	62,6	85,0	5	0

## 备件

K-AUTOMAT ABLASSVENTIL	Automatic drain valve
K-KOPPELPAKET MEHR	Coupling packet
K-ERSATZBEHAELTER MULTI MINI	Spare tank »multifix-mini« & »standard-mini«
K-TROPFAUFSATZ POLYCARBO 1	Drip attachment polycarbonate
K-TROPFAUFSATZ METALL	Drip attachment metal