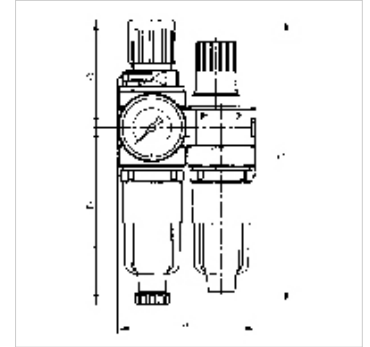


K-WTEH 3-TLG MET TROPF MULTIFIX-MIN

Service units, 3-piece with metal bowl and metal sight dome

HANSA FLEX

属性	
入口压力	Max. 12 bar (also for metal tank!)
介质温度	max. 60 °C
环境温度	Max. 60 °C
过滤单元中的气孔宽度	5 µm
密封材料	NBR
弹簧罩	POM-brass
壳体	Die-cast zinc
泄水头	PA (polycarbonate bowl), Zinc-glass-NBR (metal bowl)
Drain valve	Semi-automatic
流量值测量	At P1 = 8 bar, P2 = 6 bar and pressure drop Δp = 1 bar



提示

其它数据应客户要求提供。

描述

Two or three-piece service units consisting of a diaphragm pressure regulator, independent of inlet pressure, with self-relieving design, combined with a centrifugal separator and a proportional lubricator.

订购指南

Lockable service units available on request. If several devices in the »multifix-mini« Series are assembled together, the maximum working pressure is 12 bar.

货品

名称	螺纹	调节范围	流量 (L/min)	A (mm)	B	C (mm)	D (mm)	DN	结构尺寸
K- 07 25 01 07	G 1/8	0.5 - 10 bar	700	120,0	162,3 mm	63,0	99,3	5	0
K- 07 25 01 09	G 1/4	0.5 - 10 bar	700	120,0	162,3 mm	63,0	99,3	5	0

备件

K-HALTERBAUSATZ	Holder
K-AUTOMAT ABLASSVENTIL	Automatic drain valve
K-SCHALTTAFELMUTTER	Nut
K-KOPPELPAKET MEHR	Coupling packet
K-PC-BEHAELTER FILTER MULTIFIX	Polycarbonate tank filter
K-ERSATZBEHAELTER MULTI MINI	Spare tank »multifix-mini« & »standard-mini«
K-VERSCHLEI-SATZ	Set of wearing parts
K-FILTERELEMENT	Filter element
K-TROPFAUFSATZ POLYCARBO 1	Drip attachment polycarbonate
K-TROPFAUFSATZ METALL	Drip attachment metal