

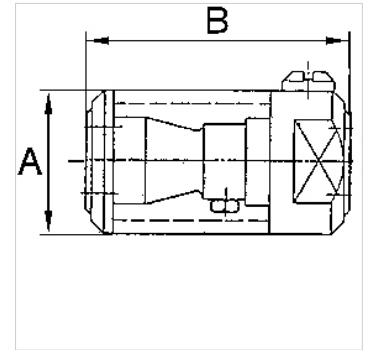
K-NEBELOELER MINI

Mini oil-mist lubricator

HANSA FLEX

属性

工作压力	min. 2 bar - max. 6 bar
介质温度	max. 50 °C
环境温度	Max. 50 °C
流通方向装入位置	Oil intake at the lowest point/any
油容器	Polycarbonate
油种类	CL 32 acc. to DIN 51517 - ISO VG 32



提示

其它数据应客户要求提供。

描述

For mounting on pneumatic impact tools (nail drivers, tackers, screwdrivers) which work intermittently. Also suitable for tools with continuous compressed air demand (grinding and polishing machines). Fixed drip rate: Approx. 0.4 cm³ per 100 work cycles, one filling = 3000 work cycles. Oil consumption in continuous operation (at 6 bar): 0.15 cm³ / Nm³ (varies depending on ambient temperature and oil used).

货品

名称	螺纹	A (mm)	B	DN
K- 07 25 09 11	G 1/4	33,0	60,0 mm	8
K- 07 25 09 12	G 3/8	33,0	60,0 mm	8