

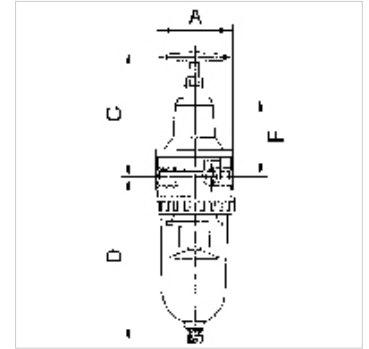
K-FI REGL PC-BEHÄLTER S H ABL STANDARD

Filter regulators with polycarbonate bowl, bowl guard and semi-automatic drain valve

HANSA FLEX

属性

入口压力	Max. 16 bar (polycarbonate bowl), Max. 25 bar (metal bowl)
调节范围	0.5 to 10 bar (polycarbonate bowl), 0.5 to 16 bar (metal bowl)
介质温度	max. 60 °C
环境温度	Max. 60 °C
过滤器元件中的气孔宽度	5 µm (Size 1 / Size 3), 40 µm (Size 2 / Size 4)
密封材料	NBR
壳体	Die-cast zinc (G1/4 to G1/2), silver painted\ aluminium (G3/4 to G1), silver painted
流量值测量	At P1 = 8 bar, P2 = 6 bar and pressure drop Δp = 1 bar



提示

其它数据应客户要求提供。

描述

Reversible diaphragm pressure regulators, independent of inlet pressure, with selfrelieving design, combined with a centrifugal separator.

货品

名称	螺纹	流量 (L/min)	A (mm)	C (mm)	D (mm)	DN	F (mm)
K- 07 25 06 68	G 1/4	900	54,0	106,5	129,7	8	62,0
K- 07 25 06 71	G 3/8	900	54,0	106,5	129,7	8	62,0
K- 07 25 06 74	G 3/8	1500	70,0	120,5	145,9	11	76,5
K- 07 25 06 78	G 1/2	3000	82,0	130,0	169,4	14	83,0
K- 07 25 06 81	G 3/4	7000	125,0	190,6	261,4	25	145,0
K- 07 25 06 84	G 1	7000	125,0	190,6	261,4	25	145,0

备件

K-HALTERBAUSATZ STANDARD	Holder
K-SCHUTZKORB G	Protective cage
K-FILTERELEMENT	Filter element
K-VERSCHLEI-SATZ	Set of wearing parts
K-XV AGM MS NI	Double nipples, parallel male thread, nickel-plated brass
K-LOESBARE DOPPELNIPPEL MS	Double nipples
K-ABLASSVENTIL AUTO	Fully-automatic drain valve with Adapter G 1/8
K-AUTOMAT ABLASSVENTIL	Automatic drain valve