

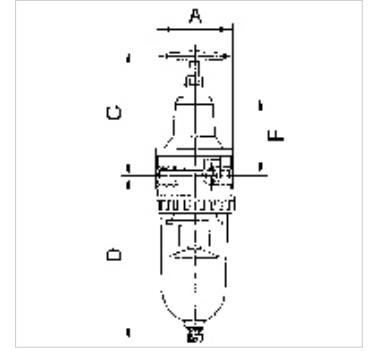
# K-FI REGL METALLBEHAE M ABLV STANDA

Filter regulators with metal bowl and manual drain valve

**HANSA FLEX**

## 属性

入口压力	Max. 16 bar (polycarbonate bowl), Max. 25 bar (metal bowl)
调节范围	0.5 to 10 bar (polycarbonate bowl), 0.5 to 16 bar (metal bowl)
介质温度	max. 60 °C
环境温度	Max. 60 °C
过滤元件中的气孔宽度	5 µm (Size 1 / Size 3), 40 µm (Size 2 / Size 4)
密封材料	NBR
壳体	Die-cast zinc (G1/4 to G1/2), silver painted\ aluminium (G3/4 to G1), silver painted
流量值测量	At P1 = 8 bar, P2 = 6 bar and pressure drop Δp = 1 bar



## 提示

其它数据应客户要求提供。

## 描述

Reversible diaphragm pressure regulators, independent of inlet pressure, with selfrelieving design, combined with a centrifugal separator.

## 货品

名称	螺纹	流量 (L/min)	A (mm)	C (mm)	D (mm)	DN	F (mm)
K- 07 25 06 69	G 1/4	900	54,0	106,5	133,5	8	62,0
K- 07 25 06 72	G 3/8	900	54,0	106,5	133,5	8	62,0
K- 07 25 06 75	G 3/8	1500	70,0	120,5	161,0	11	76,5
K- 07 25 06 77	G 1/2	3000	82,0	130,0	172,0	14	83,0
K- 07 25 06 80	G 3/4	7000	125,0	190,6	264,0	25	145,0
K- 07 25 06 83	G 1	7000	125,0	190,6	264,0	25	145,0

## 备件

K-HALTERBAUSATZ STANDARD	Holder
K-SCHUTZKORB G	Protective cage
K-FILTERELEMENT	Filter element
K-VERSCHLEI-SATZ	Set of wearing parts
K-XV AGM MS NI	Double nipples, parallel male thread, nickel-plated brass
K-LOESBARE DOPPELNIPPEL MS	Double nipples
K-ABLASSVENTIL AUTO	Fully-automatic drain valve with Adapter G 1/8
K-AUTOMAT ABLASSVENTIL	Automatic drain valve