

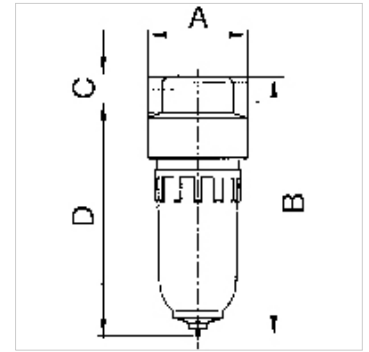
K-FI METALLBEHAELTER STANDARD-MINI

Filters with metal bowl

HANSA FLEX

属性

入口压力	Max. 16 bar (polycarbonate bowl), Max. 25 bar (metal bowl)
介质温度	max. 60 °C
环境温度	Max. 60 °C
流量	800 l/min
过滤器元件中的气孔宽度	8 µm
密封材料	NBR
壳体	Die-cast zinc, painted silver
Drain valve	Semi-automatic for variant with polycarbonate bowl, Manual for variant with metal bowl
流量值测量	At P2 = 6 bar and pressure drop $\Delta p = 1$ bar
更多注明信息	User manual on request



描述

Centrifugal separators with a sintered filter element. Compact design.

货品

名称	螺纹	A (mm)	B	C (mm)	D (mm)	DN
K- 07 25 05 83	G 1/8	40,0	108,5 mm	10,0	98,5	5
K- 07 25 05 84	G 1/4	40,0	108,5 mm	10,0	98,5	5

备件

K-ERSATZBEHAELTER MULTI MINI	Spare tank »multifix-mini« & »standard-mini«
K-PC-BEHAELTER FILTER MULTIFIX	Polycarbonate tank filter
K-FILTERELEMENT	Filter element
K-AUTOMAT ABLASSVENTIL	Automatic drain valve
K-LOESBARE DOPPELNIPPEL MS	Double nipples
K-XV AGM MS NI	Double nipples, parallel male thread, nickel-plated brass