

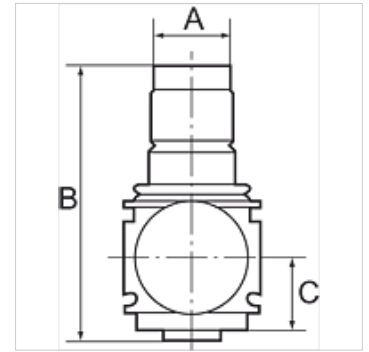
K-DRG VARIOBLOC

Pressure regulators

HANSA FLEX

属性

入口压力	Max. 25 bar
介质温度	max. 50 °C
环境温度	Max. 50 °C
密封材料	NBR
弹簧罩	POM
壳体	Die-cast zinc
膜片	NBR
流量值测量	At P1 = 10 bar, P2 = 6 bar and pressure drop $\Delta p = 1$ bar



提示

其它数据应客户要求提供。

描述

Reversible diaphragm pressure regulators, independent of inlet pressure, with self-relieving design. The pressure setting can be locked by pushing the knob down. Approved series in modern industrial design, with the following key benefits: Simple handling, Convenient modular assembly thanks to innovative fasteners, Excellent flow values.

订购指南

Pressure regulators are also available in lockable version. Please ask for more information.

货品

名称	螺纹	调节范围	流量 (L/min)	A (mm)	B	C (mm)
K-07 25 04 18	G 1/4	0.5 - 6 bar	2000	48,0	98,0 mm	26,0
K-07 25 04 19	G 1/4	0.5 - 10 bar	2000	48,0	98,0 mm	26,0
K-07 25 04 20	G 1/4	0.5 - 16 bar	2000	48,0	98,0 mm	26,0
K-07 25 04 21	G 3/8	0.5 - 6 bar	3200	48,0	98,0 mm	26,0
K-07 25 04 22	G 3/8	0.5 - 10 bar	3200	48,0	98,0 mm	26,0
K-07 25 04 23	G 3/8	0.5 - 16 bar	3200	48,0	98,0 mm	26,0
K-07 25 04 24	G 1/2	0.5 - 6 bar	7000	70,0	134,0 mm	32,5
K-07 25 04 25	G 1/2	0.5 - 10 bar	7000	70,0	134,0 mm	32,5
K-07 25 04 26	G 1/2	0.5 - 16 bar	7000	70,0	134,0 mm	32,5
K-07 25 04 27	G 3/4	0.5 - 6 bar	8000	70,0	134,0 mm	32,5
K-07 25 04 28	G 3/4	0.5 - 10 bar	8000	70,0	134,0 mm	32,5
K-07 25 04 29	G 3/4	0.5 - 16 bar	8000	70,0	134,0 mm	32,5
K-07 25 04 30	G 1	0.5 - 6 bar	8000	124,0	134,0 mm	32,5
K-07 25 04 31	G 1	0.5 - 10 bar	8000	124,0	134,0 mm	32,5
K-07 25 04 32	G 1	0.5 - 16 bar	8000	124,0	134,0 mm	32,5

备件

K-VERSCHLEI-SATZ VARIOBLOC Set of wearing parts