

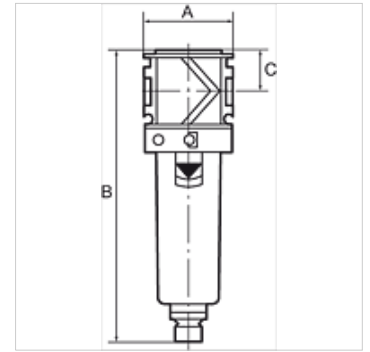
K-FI MIKRO PC-BEHAEALTER VARIOBLOC

Micro-filters with polycarbonate bowl

HANSA FLEX

属性

| | |
|------------------|--|
| 入口压力 | Max. 16 bar (polycarbonate bowl), Max. 20 bar (metal bowl) |
| 介质温度 | max. 50 °C |
| 环境温度 | Max. 50 °C (polycarbonate bowl), Max. 80 °C (metal bowl) |
| 过滤精度 | 0,01 µm |
| 空气质量符合 ISO 85731 | Class 1 dirt, class 1 oil |
| 效率 | 99.999 % |
| 流量值测量 | At P1 = 7 bar and pressure drop $\Delta p = 0,1$ bar |



提示

其它数据应客户要求提供。

描述

Borosilicate filter for all applications where compliance with strict compressed air purity requirements is vital. As the second stage downstream of the standard filter, the micro-filter removes 99.999 % of even the finest remaining particles from water, oil and dirt with practically zero residues (filter rating: 0.01 µm).

订购指南

Micro-filters are also available with bowl guard or metal bowl.

货品

| 名称 | 螺纹 | 流量 (L/min) | A (mm) | B | C (mm) |
|----------------|-------|------------|--------|----------|--------|
| K- 07 25 10 89 | G 1/4 | 370 | 48,0 | 155,0 mm | 22,0 |
| K- 07 25 10 91 | G 3/8 | 420 | 48,0 | 155,0 mm | 22,0 |
| K- 07 25 10 93 | G 1/2 | 1000 | 70,0 | 202,0 mm | 26,0 |
| K- 07 25 10 95 | G 3/4 | 1100 | 70,0 | 202,0 mm | 26,0 |
| K- 07 25 10 97 | G 1 | 1100 | 124,0 | 202,0 mm | 26,0 |

备件

| | |
|----------------------------------|--|
| K-ERSATZBEHAELTER VARIOBLOC POLY | Spare tank Polycarbonat |
| K-FILTERELEMENT VARIOBLOC | Filter element |
| K-ABLASSVENTIL AUTO | Fully-automatic drain valve with Adapter G 1/8 |