

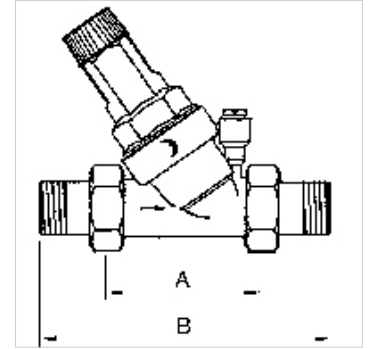
K-DRG SAXONIA M MANO

Pressure regulators

HANSA FLEX

属性

| | |
|--------|--|
| 入口压力 | Max. 16 bar |
| 适用介质 | Drinking water |
| 工作温度 | Max. 30 °C |
| 密封材料 | NBR |
| 弹簧罩 | Plastic |
| 壳体 | Brass |
| 滤杯 | Plastic, with control dial for back pressure |
| 更多注明信息 | DVGW Zertifikat |



提示

其它数据应客户要求提供。

描述

Diaphragm pressure regulators with pressure-reduced single-seated valve and built-in strainer. These pressure regulators, which are independent of inlet pressure, protect domestic water installations against excessive supply pressure. They can also be used for commercial or industrial purposes providing their specification is adequate.

货品

| 名称 | 螺纹 | DN | 调节范围 | 流量 kvs 值 (m ³ /h) | A (mm) | B |
|----------------|---------|----|-------------|---------------------------------|-----------|----------|
| K- 07 25 04 72 | R 3/4 | 20 | 1.5 - 6 bar | 3,4 | 90,0 | 158,0 mm |
| K- 07 25 04 73 | R 1 | 25 | 1.5 - 6 bar | 5,3 | 100,0 | 184,0 mm |
| K- 07 25 04 74 | R 1 1/4 | 32 | 1.5 - 6 bar | 8,6 | 130,0 | 228,0 mm |

备件

| | |
|-----------------------|--|
| K-VENTILAUSTAUSCHSATZ | Valve replacement kit |
| K-ERSATZSIEBE | Replacement strainer |
| K-RMM U STAHL | Standard pressure gauges (sheet steel housing / connection radial on bottom) |