

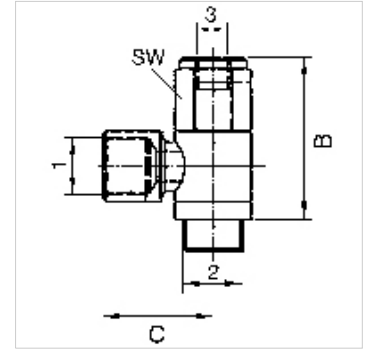
K-HS RD

Unidirectional banjo valves, pneumatic release, port 2 with female thread

HANSA FLEX

属性

工作压力	0.3 - 10 bar
控制压力	0.5 - 2.5 bar, depending on operating pressure
介质温度	max. 60 °C
装入位置	Any. The ring piece must be positioned before the valve is tightened
原料	黄铜镀镍
密封材料	Perbunan



提示

其它数据应客户要求提供。

描述

For stopping and positioning the cylinder movement: If a control signal is present at port 3 (see drawing), air can flow to and from the cylinder. If no control signal is present, the cylinder exhaust air is shut off by the unidirectional valve. The cylinder is stopped. Releasable unidirectional valves are screwed directly onto the cylinder instead of the normal pipe connections.

货品

名称	Port 1	Port 2	接口 3	B (mm)	C (mm)
K- 07 15 07 04	G 1/8	G 1/8	M 5	38,0	21,5
K- 07 15 07 03	G 1/4	G 1/4	G 1/8	43,0	25,4
K- 07 15 07 05	G 3/8	G 3/8	G 1/8	46,0	31,6
K- 07 15 07 02	G 1/2	G 1/2	G 1/8	52,0	32,0