

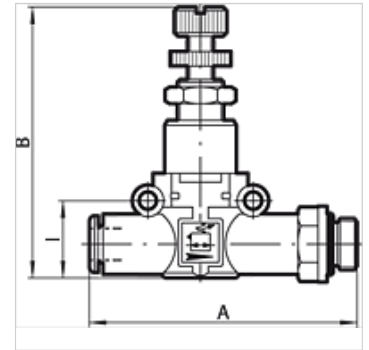
K-DRG SCHL GEW

Pressure regulators, pipe (input) - thread (output)

HANSA FLEX

属性

工作压力	2 - 10 bar
流量 6.3 bar	400 NI/min (Ø 6 and G 1/8), 600 NI/min (Ø 8 and G 1/4)
温度范围	-20 °C to +60 °C
体	Technopolymer
内部部件	nickel-plated brass, brass, \ntechnopolymer, stainless steel
密封材料	NBR
装配	Wall mounting (housing with drilled holes) Bracket mounting (mounting bracket available) Panel mounting (with bracket or lock nut)
标志	on the housing



提示

其它数据应客户要求提供。

描述

A carefully selected assortment of products for installation in pneumatic circuits. These small, highly efficient components allow all pneumatic functions to be implemented anywhere in the circuit. The series has an ultramodular design.
All components can be installed In parallel, In series, In a mixed parallel / serial configuration. Available as Pipe / pipe connection with two plug connectors Thread / pipe connection, with one plug connector and one nickel-plated brass thread.

货品

名称	螺纹	用于软管 Ø (mm)	调节范围	A (mm)	B (mm)	I (mm)
K- 07 25 03 19	G 1/8	6	1 - 8 bar	58,5	52,0	14,6
K- 07 25 03 20	G 1/8	8	1 - 8 bar	61,5	52,0	14,6
K- 07 25 03 17	G 1/4	6	1 - 8 bar	66,2	58,0	18,7
K- 07 25 03 18	G 1/4	8	1 - 8 bar	70,6	58,0	18,7
K- 07 25 03 21	G 3/8	8	1 - 8 bar	72,2	58,0	18,7