

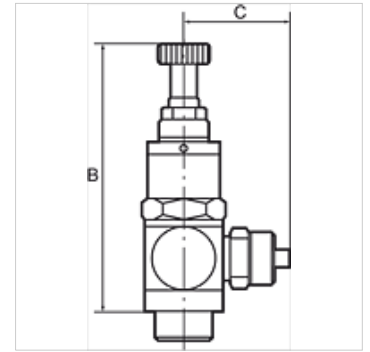
# K-KDR STECK

Mini pressure regulators, discharge port on thread, plug-in connector

**HANSA FLEX**

## 属性

调节范围	0 - 8 bar
入口压力	Max. 10 bar
温度范围	0 °C to +70 °C
空心螺钉, 摆臂, 调节螺钉	Nickel-plated brass
内部部件	Brass with a bare metal surface
O 形圈凸缘密封件	NBR
密封(防丢失)	Polyamide (glass fibre-reinforced)



## 提示

其它数据应客户要求提供。

## 描述

Piston pressure regulator with self-relieving design, hollow bolt and pivoting ring piece. The regulator is screwed directly into the consumer (e.g. cylinder, handling equipment, etc.). The working pressure can thus be adapted to the specific application.

## 货品

名称	C (mm)	用于软管	螺纹	SW	B (mm)
K- 07 25 08 40	19,5	4 mm	G 1/8	15 mm	56,0
K- 07 25 08 41	22,0	6 mm	G 1/8	15 mm	56,0
K- 07 25 08 42	22,5	8 mm	G 1/8	15 mm	56,0
K- 07 25 08 38	23,5	6 mm	G 1/4	17 mm	63,0
K- 07 25 08 39	24,0	8 mm	G 1/4	17 mm	63,0
K- 07 25 08 37	26,5	10 mm	G 1/4	17 mm	63,0