

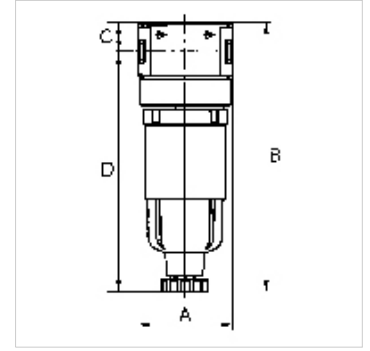
# K-FI MIKRO METALLBEHAEL MULTIFIX MI

Micro-filters with metal bowl

**HANSA FLEX**

## 属性

入口压力	Max. 16 bar
介质温度	max. 60 °C
环境温度	Max. 60 °C
过滤精度	0,01 µm
效率	99.999 %
密封材料	NBR
过滤器滤芯	Borosilicate-POM
壳体	Die-cast zinc
Drain valve	Semi-automatic
流量值测量	FM at P1 = 6 bar and pressure drop $\Delta p = 0.09$ bar



## 提示

If several devices in the »multifix-mini« Series are assembled together, the maximum working pressure is 12 bar.  
其它数据应客户要求提供。

## 描述

Micro-filters for compliance with strict compressed air purity requirements. Suitable for all applications where standard filters do not afford the desired efficiency.

## 货品

名称	螺纹	流量 (L/min)	A (mm)	B	C (mm)	D (mm)	DN
K- 07 25 10 55	G 1/8	230	40,0	111,6 mm	12,3	99,3	5
K- 07 25 10 57	G 1/4	450	40,0	138,1 mm	12,3	125,8	5

## 备件

K-AUTOMAT ABLASSVENTIL	Automatic drain valve
K-KOPPELPAKET MEHR	Coupling packet