

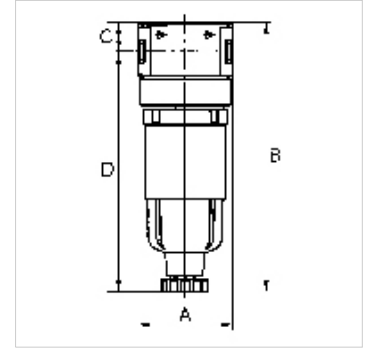
K-FI AK KOH PC-BEHAEL MULTIFIX MINI

Activated carbon filters with polycarbonate bowl

HANSA FLEX

属性

入口压力	Max. 16 bar
介质温度	max. 60 °C
环境温度	Max. 60 °C
密封材料	NBR
过滤器滤芯	Activated carbon-POM
壳体	Die-cast zinc
Drain valve	Semi-automatic
剩余油含量	0.005 mg/m ³
流量值测量	FA at P1 = 6 bar and pressure drop $\Delta p = 0.2$ bar



提示

If several devices in the »multifix-mini« Series are assembled together, the maximum working pressure is 12 bar.
其它数据应客户要求提供。

描述

Micro-filters for compliance with strict compressed air purity requirements. Suitable for all applications where standard filters do not afford the desired efficiency.

货品

名称	螺纹	流量 (L/min)	A (mm)	B	C (mm)	D (mm)	DN	结构尺寸
K- 07 25 10 45	G 1/8	310	40,0	107,8 mm	12,3	95,5	5	0
K- 07 25 10 47	G 1/4	380	40,0	122,8 mm	12,3	110,5	5	0

备件

K-AUTOMAT ABLASSVENTIL	Automatic drain valve
K-KOPPELPAKET MEHR	Coupling packet
K-ERSATZBEHAELTER MULTI MINI	Spare tank »multifix-mini« & »standard-mini«