

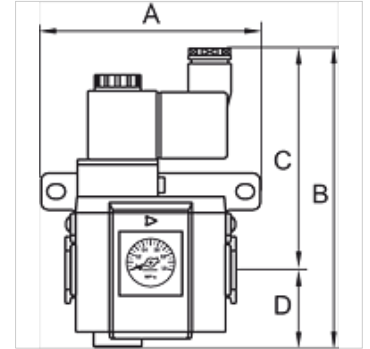
# K-3/2 ANFAV 24 V DC HW G

Start-up valves, power supply 24 V DC, with »HW« mounting bracket and silencer

**HANSA FLEX**

## 属性

入口压力	2.5 - 9 bar
介质温度	max. 70 °C
环境温度	Max. 70 °C
电接口	Coupler plug PG 9 - form B
密封材料	NBR
壳体	Die-cast aluminium
流量值测量	At P1 = 8 bar, P2 = 6 bar and pressure drop $\Delta p = 1$ bar
更多注明信息	User manual on request



## 货品

名称	螺纹	流量 (L/min)	A (mm)	B	C (mm)	D (mm)	结构尺寸
K- 07 25 12 05	G 1/4	1600	65,0	131,0 mm	97,0	34,0	300
K- 07 25 12 07	G 3/8	2500	65,0	131,0 mm	97,0	34,0	300
K- 07 25 12 09	G 1/2	2500	65,0	131,0 mm	97,0	34,0	300
K- 07 25 12 11	G 3/8	4500	78,0	142,5 mm	102,0	40,5	400
K- 07 25 12 13	G 1/2	4500	78,0	142,5 mm	102,0	40,5	400

## 附件

K-VERBINDUNGSELEMENTE	Connecting sets
K-WANDHALTER	Wall bracket
K-HALTERBAUSATZ	Holder