

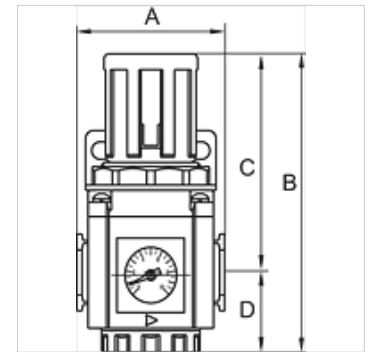
K-DRG MANO HW G

Pressure regulators

HANSA FLEX

属性

| | |
|--------|--|
| 入口压力 | Max. 10 bar |
| 介质温度 | max. 70 °C |
| 环境温度 | Max. 70 °C |
| 调节范围 | 0,5 - 9 bar |
| 密封材料 | NBR |
| 弹簧罩 | POM |
| 壳体 | Die-cast aluminium |
| 流量值测量 | At P1 = 8 bar, P2 = 6 bar and pressure drop $\Delta p = 1$ bar |
| 更多注明信息 | User manual on request |



货品

| 名称 | 螺纹 | 流量 (L/min) | A (mm) | B | C (mm) | D (mm) | 结构尺寸 |
|----------------|-------|---------------|-----------|----------|-----------|-----------|------|
| K- 07 25 05 12 | G 1/4 | 1650 | 51,0 | 112,5 mm | 83,5 | 29,0 | 300 |
| K- 07 25 05 13 | G 3/8 | 2500 | 51,0 | 112,5 mm | 83,5 | 29,0 | 300 |
| K- 07 25 05 14 | G 1/2 | 2500 | 51,0 | 112,5 mm | 83,5 | 29,0 | 300 |
| K- 07 25 05 15 | G 3/8 | 4000 | 68,0 | 140,5 mm | 104,0 | 36,5 | 400 |
| K- 07 25 05 16 | G 1/2 | 4000 | 68,0 | 140,5 mm | 104,0 | 36,5 | 400 |
| K- 07 25 05 17 | G 3/4 | 12000 | 85,0 | 191,5 mm | 141,5 | 50,0 | 600 |
| K- 07 25 05 18 | G 1 | 12000 | 85,0 | 191,5 mm | 141,5 | 50,0 | 600 |

附件

| | |
|------------------------|-----------------------|
| K-VERSCHLEI-SATZ | Set of wearing parts |
| K-ERSATZMEMBRANE | Replacement diaphragm |
| K-ADAPTERPLATTEN HANSA | Adapter plate HANSA |
| K-HALTERBAUSATZ | Holder |
| K-VERBINDUNGELEMENTE | Connecting sets |
| K-WANDHALTER | Wall bracket |