

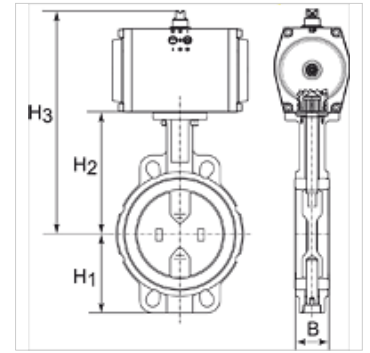
K-ZFL ABSP-KLAPPEN EINFACH

Butterfly valves, with single-acting actuator - spring to close, min. pilot pressure 5 bar

HANSA FLEX

属性

| | |
|--------|--|
| 结构类型 | Pneumatic actuators, in double- or single acting version |
| 工作压力 | Max. 16 bar |
| 工作温度 | -15 °C to +120 °C |
| 适用介质 | Water / steam, salt water, salt water, ester, ketone, alkali, caustic soda, sodium hydroxide. Not recommended for hydrocarbons |
| 控制压力 | 5.5 bar |
| 阀门适配器 | Supplied as standard, operated by a 3/2- or 5/2-way valve |
| 旋转角 | 90 ° |
| 驱动器 | aluminium eloxed |
| 驱动器密封件 | NBR |
| 壳体 | Grey cast iron GG25 epoxy resin coated, RAL 5015 |
| 密封 | EPDM |
| 轴 | SS416 |
| 轴封 | EPDM |
| 触发 | |



提示

其它数据应客户要求提供。

货品

| 名称 | 圆盘 | DN | B (mm) | H1 (mm) | H2 (mm) | H3 (mm) | L (mm) |
|----------------|-----------------------------|-----|-----------|------------|------------|------------|-----------|
| K- 07 30 03 36 | Stainless Steel CF8M/1.4404 | 40 | 38,0 | 68,0 | 108,0 | 238,0 | 94,0 |
| K- 07 30 03 37 | Stainless Steel CF8M/1.4404 | 50 | 47,0 | 71,0 | 143,0 | 273,0 | 100,0 |
| K- 07 30 03 38 | Stainless Steel CF8M/1.4404 | 65 | 49,0 | 78,0 | 155,0 | 285,0 | 115,0 |
| K- 07 30 03 39 | Stainless Steel CF8M/1.4404 | 80 | 47,0 | 89,0 | 162,0 | 292,0 | 127,0 |
| K- 07 30 03 40 | Stainless Steel CF8M/1.4404 | 100 | 56,0 | 102,0 | 178,0 | 348,0 | 163,0 |
| K- 07 30 03 42 | Stainless Steel CF8M/1.4404 | 125 | 59,0 | 123,0 | 191,0 | 361,0 | 190,0 |
| K- 07 30 03 44 | Stainless Steel CF8M/1.4404 | 150 | 59,0 | 138,0 | 265,0 | 395,0 | 216,0 |