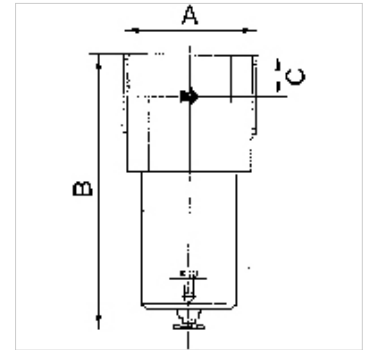


# K-FI MIKRO BIS 60 BAR

Micro-filters for high pressures up to 60 bar

## 属性

入口压力	Max. 60 bar
工作温度	0 °C to +90 °C
效率	99.9999 %
过滤器元件中的气孔宽度	0.01 µm
密封材料	NBR
容器	Brass
过滤器元件	Borosilicate
壳体	Aluminium
流量值测量	At P2 = 6 bar and pressure drop $\Delta p = 0,5$ bar



## 提示

其它数据应客户要求提供。

## 描述

Fine filter for all applications with particularly strict compressed air purity requirements. Micro-filters should always be used in conjunction with a standard filter connected upstream to trap coarse impurities and protect the micro-filter inserts.

## 货品

名称	螺纹	流量 (L/min)	A (mm)	B	C (mm)
K- 07 25 06 21	G 3/8	2000	73,0	187,0 mm	25,0
K- 07 25 06 22	G 1/2	2000	65,0	187,0 mm	25,0
K- 07 25 06 23	G 3/4	2300	92,0	196,0 mm	29,0
K- 07 25 06 24	G 1	2300	80,0	196,0 mm	29,0

## 附件

K-HALTERBAUSATZ Holder

## 备件

K-FILTERELEMENT STANDARD Filter element